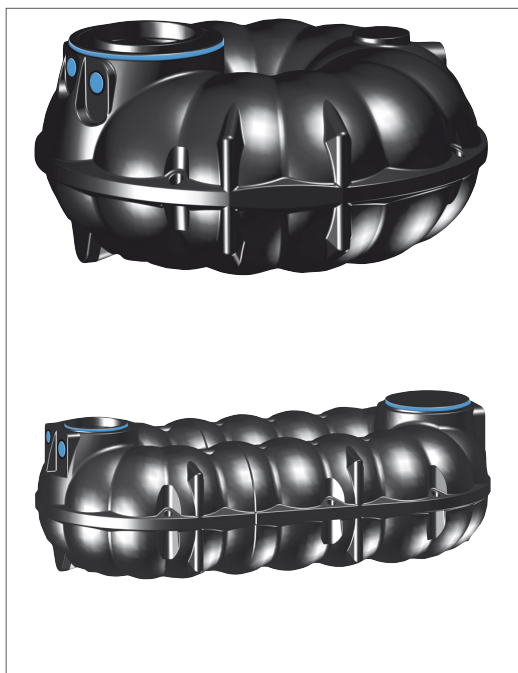


NEOLINE RAINWATER TANK

Rainwater tank made of plastic, groundwater resistant



PRODUCT DESCRIPTION

The new generation of rainwater tanks, with optional pre-assembled Trident Filter, can be quickly and easily dug in and connected. Very shallow, so very easy to place! Low earthworks and short assembly times. Available up to 40,000 liters. The Neoline Varitank is resistant to groundwater* (up to 50 cm) and class B traffic-loadable. To be excavated to a maximum of 150 cm underground (from top of tank). Pay attention to the installation instructions!

Thanks to the special optional suction set, a large net tank volume is made possible.

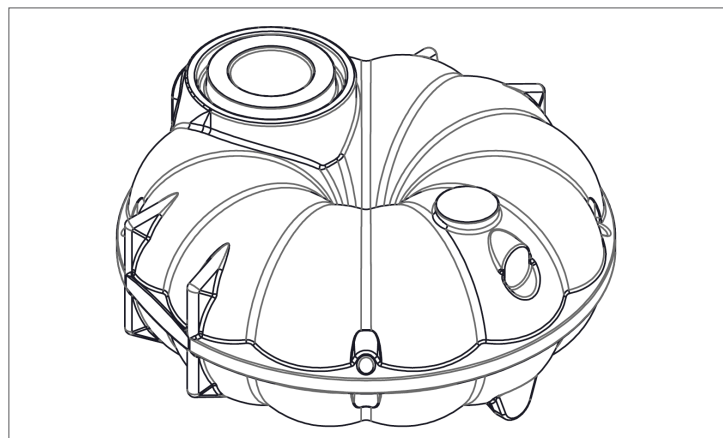
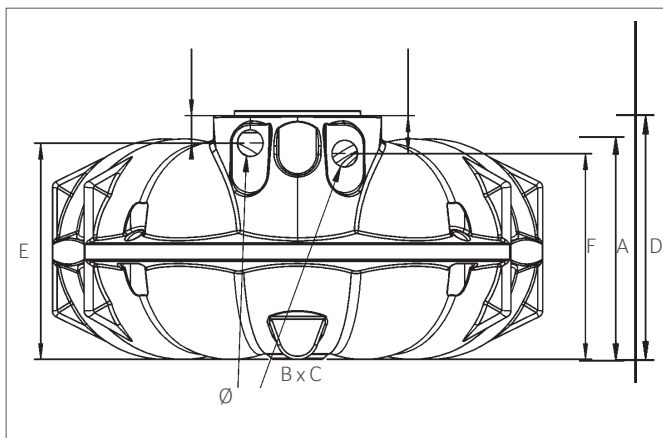
APPLICATION AREA

The Neoline rainwater tanks are designed for the storage of rainwater and must be installed underground. The tanks are resistant to light traffic and can be partially placed in the groundwater.

TECHNICAL DATA NEOLINE REGENWATER

Volume in liter	Height A in cm	Length B in cm	Width C in cm	Height tank D in cm	Inputheight E in cm	Overflow F in cm	Weight in kg
1.500	75	192	192	81	67	21	50
3.000	104.7	234	234	118.2	96.2	27	100
5.000	112	340	232	124.5	102.5	27	170
8.000	126	442	230	141.5	120	31.5	240
10.000	126	542	230	141.5	120	31.5	300
15.000	126	802	230	141.5	120	31.5	460
20.000	126	1062	230	141.5	120	31.5	630
30.000	126	1582	230	141.5	120	31.5	940
40.000	126	2102	230	141.5	120	31.5	1.260

TECHNICAL DRAWINGS



OPTIONS

Garden filter shaft

Filter shaft with built-in filter basket, designed to be placed on a Neoline Rain Wash Tank.

Filter basket insert model

Plug-in filter basket to put in a rain-washing tank over an hwa tube, fine mesh 1 mm filter, diameter 400 mm.

Varitank inner shaft 60 cm

The shaft with the sealing ring supplied can be mounted on the filter shaft. The shaft can easily be shortened. Each type of Varitank lid can thus be equated to the ground level on any desired Höhe.

Clutch kit

Complete set for the coupling of two rain washing tanks s. Set consists of two tank penetrations and compression fittings for a 50 mm connection tube. This tube is not included.

Neoline suction set

Suction set for a high net volume in the tank. Equipped with suction basket with foot valve, coupling to 1 „wire and a float switch with low switching loss.

Varitank lid set

For every Varitank filter a wide range of lids is available in traffic classes A, B and D. Check the special Varitank lid page to choose which lid is most suitable for your situation.

TECHNICAL DIAGRAMS



Neoline tank with garden filter shaft



Garden filter shaft



Filter basket insert model

SCOPE OF DELIVERY

Product consists of: Neoline rainwater tank, with one piece of manhole and three pre-assembled connections of $\varnothing 110$ with rubber cuff and cap. Tanks are delivered in the color black.

ORDERING INFORMATION

Art nr	NAME	PG	Art nr	NAME	PG
403180	Neoline 1.500 liter	3	403516	Garden filter shaft $\varnothing 315$	3
403181	Neoline 3.000 liter	3	401347	Filter basket insert model	3
403182	Neoline 5.000 liter	3	403512	Varitank inner shaft 60 cm	3
403183	Neoline 8.000 liter	3	403515	Clutch kit 50mm for plastic tanks	3
403164	Neoline 10.000 liter	3	403659	Neoline suction set	2
403165	Neoline 15.000 liter	3			
403166	Neoline 20.000 liter	3			
403167	Neoline 30.000 liter	3			
403168	Neoline 40.000 liter	3			

Wide range of lids available, see Varitank lids from GEP.