

INNER TANK

Above ground tank for rainwater



PRODUCT DESCRIPTION

The tanks are seamlessly produced from one piece so guaranteed to be waterproof. The plastic tanks type AquaFlow AQF are available in different versions and volumes. The tanks are characterized by their sturdy constructional features and handles for easy installation. The tanks are standard equipped with a childproof lid of 240 mm diameter.

The types AQF 570 and 690 are also equipped with a number of additional connections. These tanks are therefore often used in specific applications such as hot water, greywater, rainwater, heat storage and disconnect tanks with built-in pumps.

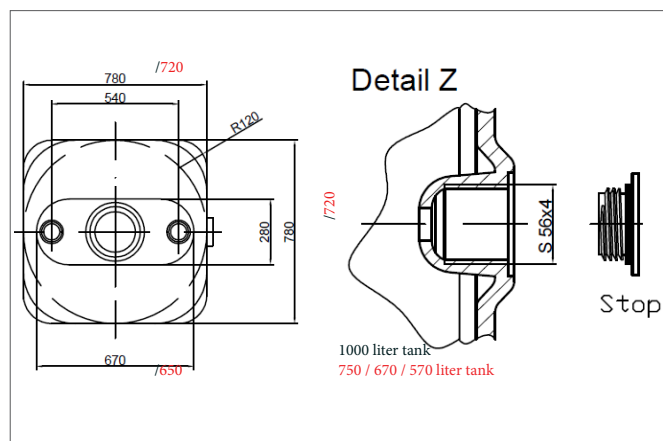
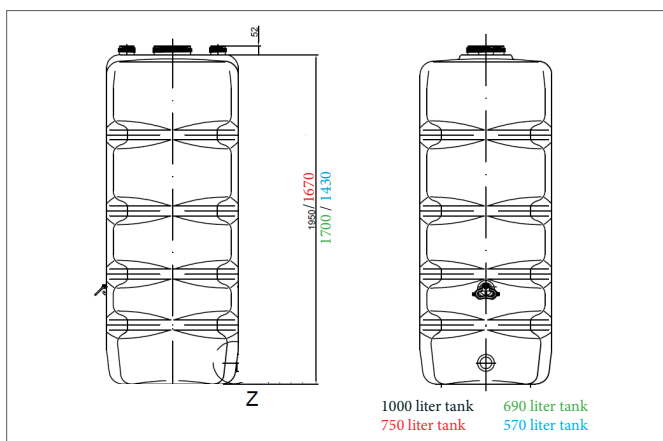
Specific customer requirements such as an extra wide lid of 540 mm, extra connections or an insulation jacket are possible. The AQF tanks are

TECHNICAL DATA GEP BINNENTANKS

Volume in liter	Length B in cm	Width C in cm	Height tank A in cm	Weight in kg
570	72	72	143	18
690	72	72	170	22
750	72	72	172	24
1000	78	78	200	30

Connections: Above 2 x 2 " Under 2 x S56X4

TECHNICAL DRAWINGS



ORDERING INFORMATION

Art nr	NAME	PG
403801	Inner tank AQF 570 liters	3
403802	Inner tank AQF 690 liters	3
403803	Inner tank AQF 750 liters	3
403804	Inner tank AQF 1000 liters	3
403854	Gradient S56X4 to 6/4 " Bi	3
403851	Connection set basic tank	3
403852	Connection set expansion tank	3

