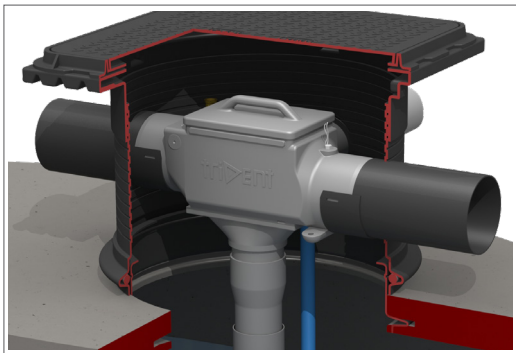


FLEXOLINE VARITANK 450

Rainwater well of concrete with built-in rainwater filter



triDENT
Advanced Filter technology

PRODUCT DESCRIPTION

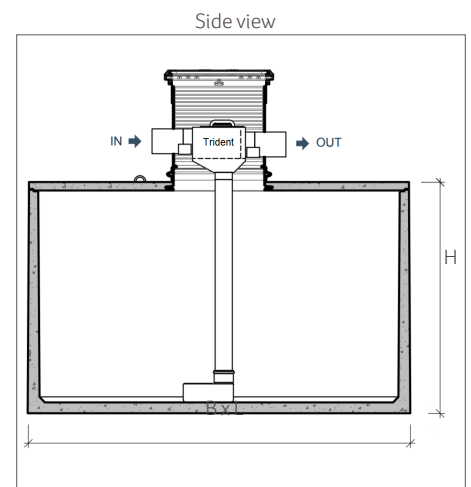
The Flexoline Varitank 450 consists of a concrete rain water well and Varitank filter 450. The walls and bottom form a monolithic whole. The Flexoline rainwater well is suitable for storing rainwater. The rainwater well consists of a concrete tub and cover plate, sealed with sealant. A PE ring has been poured into the cover plate, which serves as a manhole. This is equipped with a walkable cover for safety and to prevent pollution. The ring protrudes approx. 8 cm above the cover plate, the Varitank filter should be mounted on it. This consists of a filter shaft made of PE with pre-assembled Trident 450 tank filter with a filter flate made of stainless steel with triangular strips. Because these are tilted a few degrees, the rainwater is braked and discharged to the tank. The tank filter is also equipped with two skimmer overflow. When the rainwater tank is full, the excess rainwater will drain away. In the event of heavy rainfall, the excess rain water will drain directly through the filter flate and wash away any remaining dirt. The Varitank filter is traffic class A taxable. The tank filter is completely removable by means of click connections so that the rain well remains accessible for inspection and maintenance.

APPLICATION AREA

The tank must be buried at a certain depth, depending on the level of the HWA pipes and ground level. The tank must remain accessible for maintenance. Ground cover is maximum 80 cm. In case of more ground cover or higher static loads, a divider flate of reinforced concrete must be fitted. The Varitank filter 450 is suitable for filtering rainwater from roofs with a maximum roof surface of up to 450 m². The filter shaft is placed on the PE ring of the pit and sealed with a rubber ring. The shaft can be rotated 360 degrees to simplify the connection of the piping and can be shortened or raised at any desired Width by means of PE attachments. The decay between the supply and discharge of rainwater is 39 mm.

TECHNICAL DATA FLEXOLINE VARITANK 450

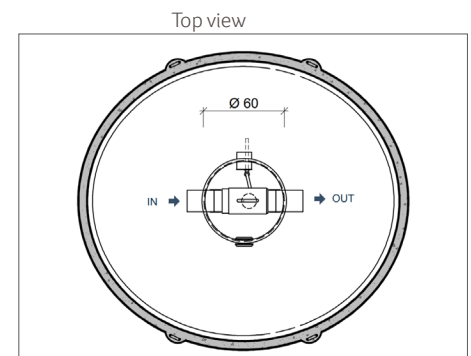
Volume in liter	Length L in cm	Width B in cm	Height H in cm	Weight in kg	Max. Diepte in cm
4.000	245	220	125	2.800	205
5.000	245	220	150	3.150	230
7.500	245	220	216	3.800	295
7.500 (flat)	330	240	158	4.600	240
10.000	330	240	197	5.350	280
15.000	340	290	233	6.850	315
15.000 (small)	430	240	231	8.145	310
20.000	440	330	210	8.465	290
20.000 (small)	450	290	232	8.880	310



DELIVERY

GEP delivers concrete wells with crane trucks up to 10,000 kg. The concrete pits are unloaded at the desired delivery address next to the truck on the condition that it can be carried out within 30 minutes and the location is accessible (passable ground and space for lateral stamping).

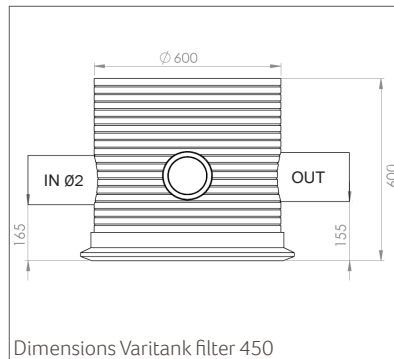
The final decision lies with the driver of the unloading truck. In consultation, the driver can also decide to place the pit directly in the hole. For concrete pits heavier than 10,000 kg or locations where the conditions for independent unloading are not possible, a crane must be present to unload the concrete pits.



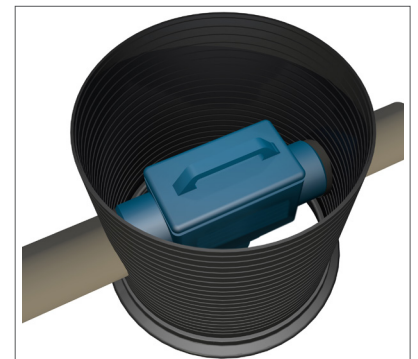
TECHNICAL DATA VARITANK FILTER 450

Height in mm:	600
Height IN mm:	165
Height UIT mm:	155
Weight in kg:	20
Connection in / out in mm:	160
Connection of casing pipe in mm:	110
Manhole Ø in mm:	600
Max. roof area in m2:	450
Height difference on the drain in mm:	39
Housing material:	PE
Material filter plate:	RVS
Connection of nozzle (optional):	1/2"

TECHNICAL DRAWINGS



PRINCIPESHEMA



OPTIONS

Nozzle set for 450 tank filter

The nozzle set ensures that the filter is periodically cleaned. The set consists of a filter sprayer.

Automatic time-controlled filter cleaner 1/2 "

Time-controlled filter cleaner enables automatic filter cleaning. The nozzle will clean the filter surface at freely adjustable times.

Fine filter bag

The fine filter can be placed under the Trident filter flate. This filter bag filters very finely to a mesh size of 150 µm. This fine filter can be used in places where high demands are placed on the water quality.

Backflow alarm for Trident filters

The filter can be equipped with an alarm sensor that signals backflow from the overflow. This alarm sensor can be connected to an IRM rainwater system that switches to drinking water as soon as an alarm signal comes from the sensor. This prevents contamination of the pump, sanitary pipes and appliances.

Varitank inner shaft 60 cm

The shaft with the sealing ring supplied can be mounted on the filter shaft. The shaft can easily be shortened. Each type of Varitank lid can be easily equated to the ground level.

Varitank lid set

Each Varitank filter has a wide range of lids, available in traffic classes A, B and D. Check the special Varitank lid page to choose which lid is best suited for your situation.

SCOPE OF DELIVERY

Product consists of: a concrete rain washer with plastic penetration ring, equipped with four lifting loops, filter shaft with two click connections with built-in filter housing, plastic cover, rubber ring, lubricant, telescopic tube, quiet supply and Trident filter flate with extraction bracket.

ORDERING INFORMATION

Art nr	NAME	PG	Art nr	Options	PG
403320	Flexoline Varitank 450 - 4.000 liter Class A	8	401151	Nozzle set for 450 tank filter	2
403321	Flexoline Varitank 450 - 5.000 liter Class A	8	401155	Automatic time-controlled filter cleaner 1/2 "	2
403322	Flexoline Varitank 450 - 7.500 liter Class A	8	401157	Fine filter bag	2
403323	Flexoline Varitank 450 - 7.500 liter Class A flat	8	401158	Backflow alarm for Trident filters	2
403324	Flexoline Varitank 450 - 10.000 liter Class A	8	403512	Varitank inner shaft 60 cm	3
403325	Flexoline Varitank 450 - 15.000 liter Class A	8	403682	Varitank Twist 2 meters	2
403326	Flexoline Varitank 450 - 15.000 liter Class A small	8	403681	Varitank Twist 3 meters	2
403327	Flexoline Varitank 450 - 20.000 liter Class A	8	Heavier traffic Class B and D (light and heavy traffic) available on request. Wide range of lids available, see Varitank lids from GEP.		
403328	Flexoline Varitank 450 - 20.000 liter Class A small	8			