

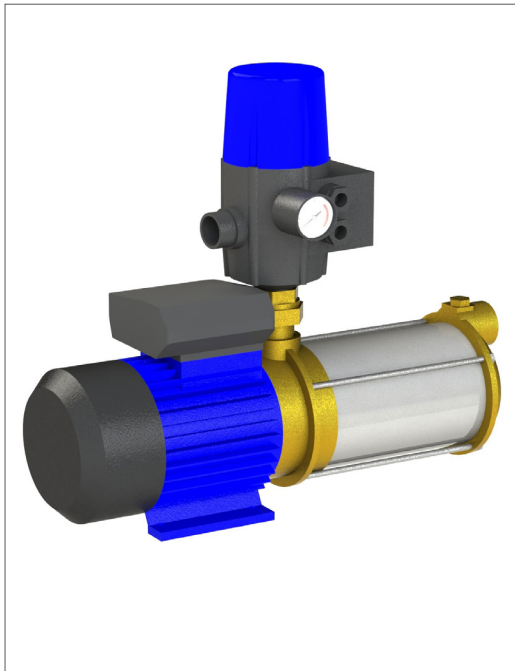
SELF-PRIMING CENTRIFUGAL PUMP

RC -3 / 5 self-priming centrifugal pump for rainwater

RC -8 / 9 self-priming centrifugal pump for rainwater



rethinking water



PRODUCT DESCRIPTION

The self-priming centrifugal pump (RC-3/5/8/9) is equipped with an automatic pressure control. The self-priming centrifugal pump is intended for horizontal installation.

The housing of the pump is made of brass and stainless steel. The interior is made of stainless steel and ceramic couplings, especially for rainwater. The connections of the suction and discharge side are 1" or 5/4" internal thread. The pump is supplied with a pressure switch for pressure-dependent switching on and off of the pump.

The pressure switch is also equipped with a pressure gauge and dry running protection. The RC pump must be installed in a frost-free, dry room with drainage on the ground, for example a scrubbing well.

SCOPE

The system can be used for the use of filtered rainwater for flushing toilets, connecting a washing machine and an outdoor tap. The RC pumps are suitable for continuous use such as sprinkling. The unit is suitable for wall mounting.

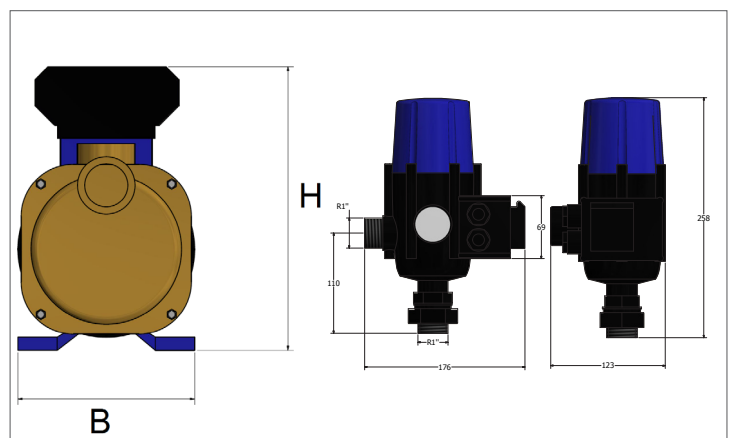
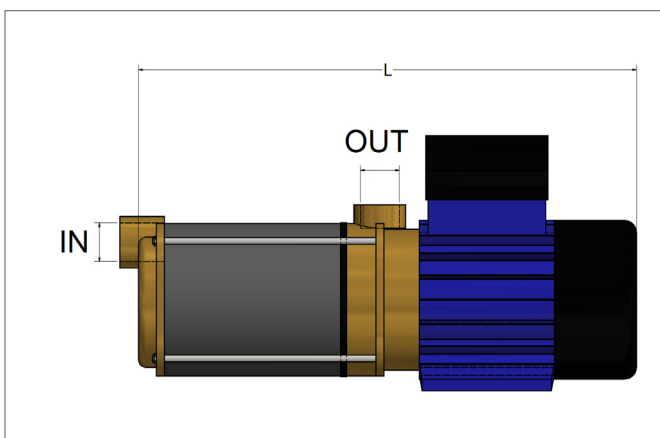
TECHNICAL DATA

GEP pomptype:	RC-3	RC-5	RC-8	RC-9
Height H in mm:	196	196	237.5	237.5
Width B in mm:	150	150	165	165
Lengte L in mm:	433	433	431	456
Suction pipe IN:	1"	1"	5/4"	5/4"
Pressure line OUT:	1"	1"	1"	1"

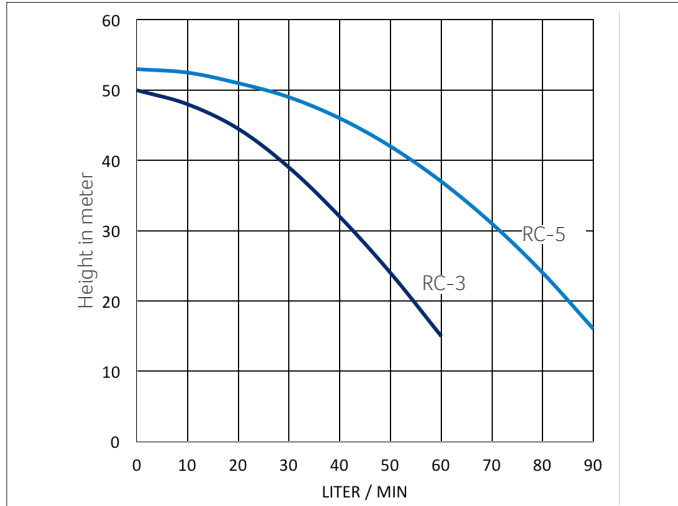
TECHNICAL SPECIFICATIONS

GEP Pomptype:	RC-3	RC-5	RC-8	RC-9
Voltage in V:	230	230	230	230
Power in Watt:	1.100	1.350	1.650	2.000
Max. debiet liter/min:	60	90	126	133
Max. opvoerHeight in m:	50	53	50	62
Leeggewicht in kg:	15	15	18	18
Aantal waaiers:	5	5	4	5
Condensator in µF:	20	25	25	40

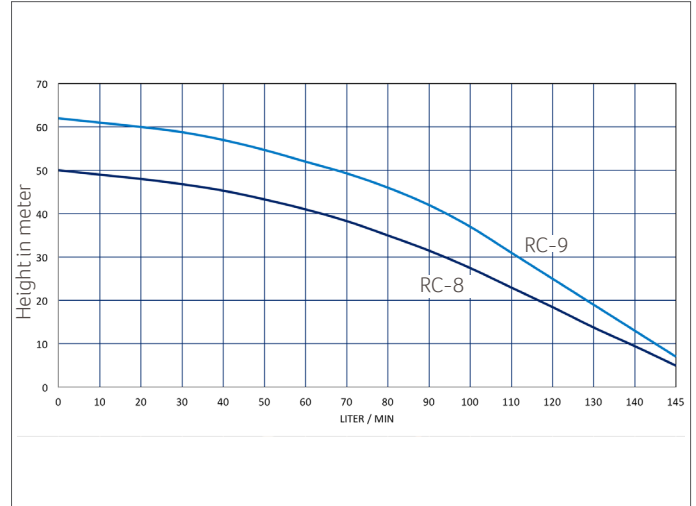
TECHNICAL DRAWINGS



PUMP CHARACTERISTIC RC-3 / RC-5



PUMP CHARACTERISTIC RC-8 / RC-9



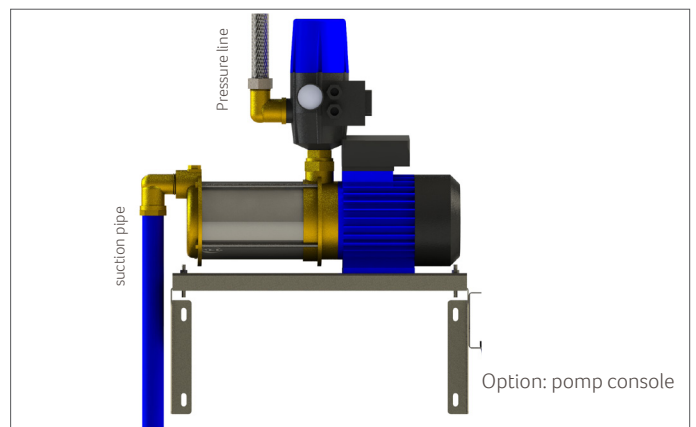
MATERIAL

Name	Material
Press, suction side:	Messing
Impellers:	RVS
Pump housing:	RVS
Motor housing:	RVS
Air separator and Leiwiel:	PPO (noryl)
Pump console:	RVS
Electro cable pump:	3 aderig 1,00 mm ² H07Rn-F

OPTIONS

Pumpenanschluss eingestellt
 ConnectionMaterial, um das Saugrohr und die Druckleitung vibrationsfrei und abschließbar zu montieren.

Pumpenhalter für Wandmontage RC Pumpe
 Zur schwingungsfreien Montage der Pumpe an der Wand.



SCOPE OF DELIVERY

This product consists of a self-priming centrifugal pump RC-3, RC-5, RC-8 or RC-9*. Supplied with pressure switch equipped with pressure gauge, 3-part coupling 1" and installation instructions. * The RC-8 and 9 are supplied with an adjustable pressure control, the GEP Kit-I.

ORDERING INFORMATION

Art nr	NAME	PG
402207	RC-3 self-priming centrifugal pump incl. kit	1
402208	RC-5 self-priming centrifugal pump incl. kit	1
402209	RC-8 self-priming centrifugal pump incl. kit	1
402210	RC-9 self-priming centrifugal pump incl. kit	1
402254	Pump connection set RC-3/5	1
402291	Pump connection set RC-8/9	1
402255	Pump bracket for wall mounting RC pump	1

