

RAINPRESS SUBMERSIBLE PUMP

Vertical pressure submersible pump with internal pressure control for rainwater



rethinking water



PRODUCT DESCRIPTION

The pressure submersible pump with internal pressure control system for the suction of filtered rainwater. The pressure submersible pump is equipped with a suction basket with foot valve. The internal pressure switch ensures a pressure-dependent switching on and off of the pump. The pressure switch is also provided with a dry-running protection. The starting pressure of the rainpress submersible pump is 2.5 bar.

SCOPE

The system can be used for the use of filtered rainwater for flushing toilets, connecting a washing machine and an outdoor tap. Also suitable for continuous consumption such as sprinkling. Advice is to use a pressure vessel for a quiet switching behavior of your pump and prolonging the service life.

Suitable for rainwater installations with a maximum height difference of 20 meters.

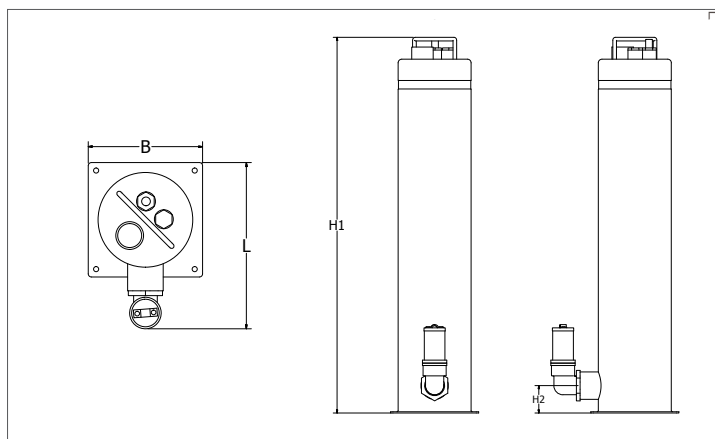
TECHNICAL DATA

GEP - Rainpress	L-40	L-60
Length H1 in mm:	634	673
SuctionHeight H2 in mm:	50	50
Diameter B in mm:	175	175
Max Width L in mm:	204	204
Press side:	1" bi	1" bi
Suction side:	1 1/4" bi	1 1/4" bi
Mesh size filter basket in mm:	1	1

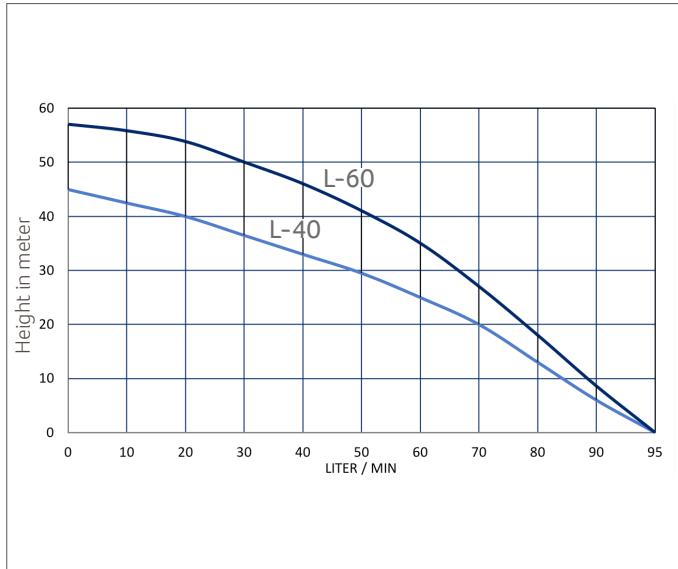
TECHNICAL SPECIFICATIONS

GEP - Rainpress	L-40	L-60
Amperage (1 ~ 230V):	4.4	6.0
Power in Watt:	800	1000
Max. increaseHeight in m:	45	57
Min. flow in liters / min:	1.5	1.5
Max. flow in liters / min:	95	95
Speed min ⁻¹ :	2.850	2.850
Empty weight in kg:	13	14
Number of fans:	4	5
Capacitor in µF:	20	25

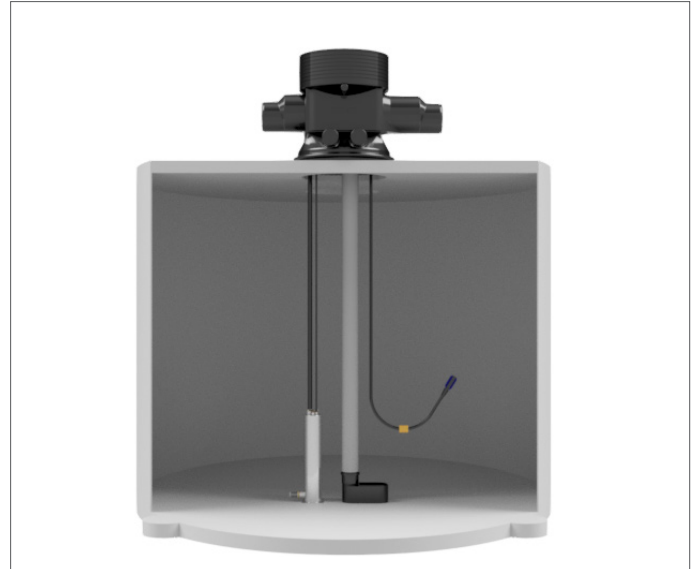
TECHNICAL DRAWINGS



PUMP CHARACTERISTIC



CONNECTION DIAGRAM



MATERIAL

NAAM

Suction basket	RVS
Pump housing:	RVS (304)
Rotor:	RVS (420)
Leiwiel:	PPO (noryl)
Electro cable pump:	3 aderig 1,00 mm ² H07Rn8F
Double seal silicon carbone and aluminum oxide / ceramic in oil filled chamber.	

Material

OPTIONS

Pressure vessel
 Pressure vessels give the switching behavior of the pumps a calmer character, which benefits the life and energy consumption of the pumps.
 Delivered including assemblyMaterial.

SCOPE OF DELIVERY

Rainpress immersion pump 5-40 / 5-60 comes with: 20 meters electrical cable, suction basket with foot valve 1 "and installation instructions.

ORDERING INFORMATION

Art nr	NAME	PG
402892	GEP Rainpress 5-40	1
402893	GEP Rainpress 5-60	1
402894	GEP Rainpress 5-40 met 8 liter pressure vessel	1
402895	GEP Rainpress 5-60 met 8 liter pressure vessel	1