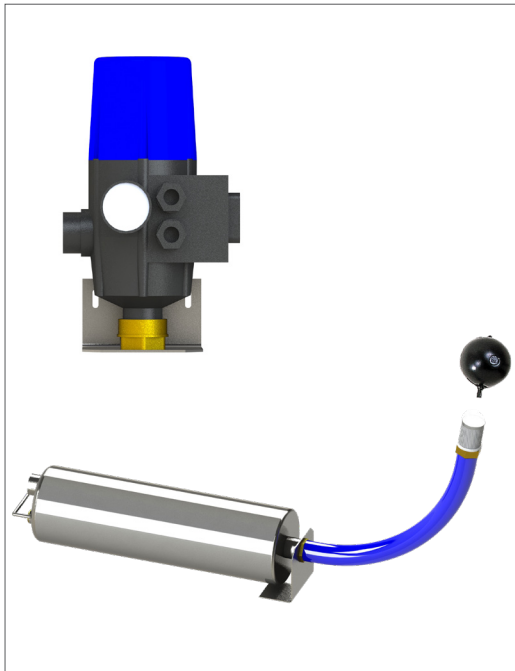


MONOPRESS SUBMERSIBLE PUMP

Horizontal pressure submersible pump with floating suction for rainwater



rethinking water



PRODUCT DESCRIPTION

The pressure immersion pump including floating suction hose ensures the suction of filtered rainwater. The pressure submersible pump is provided with a connection at the suction side. The pump is supplied with a floating intake hose for mounting on the suction side and pressure switch for pressure-dependent switching on and off of the pump.

The pressure switch is also equipped with a pressure gauge and dry running protection. Floating suction is provided with suction basket with foot valve. The pump housing is self-filling.

SCOPE

The system can be used for the use of filtered rainwater for flushing toilets, connecting a washing machine and an outdoor tap. Also suitable for continuous consumption such as sprinkling.

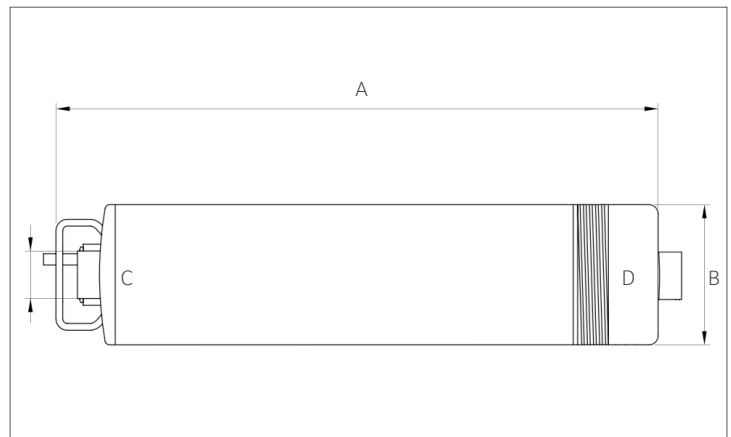
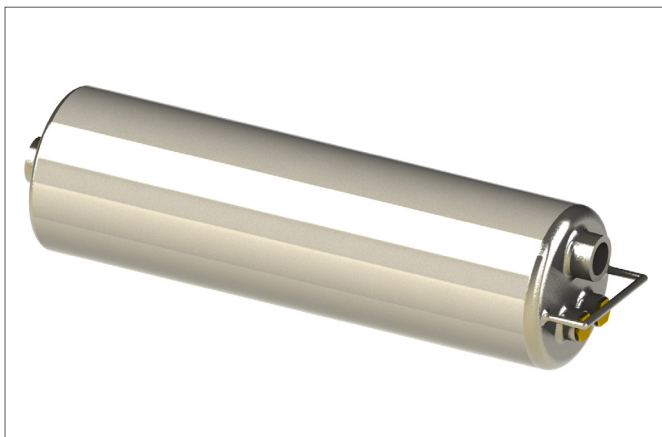
TECHNICAL DATA

GEP - Monopress	5-30	5-60	5-80
Length A in mm:	484	561	681
Diameter B in mm:	127	127	127
Press side C:	1" bi	1 1/4" bi	1 1/4" bi
Suction side D:	1" bi	1" bi	1" bi
Mesh size filter basket in mm:	1	1	1

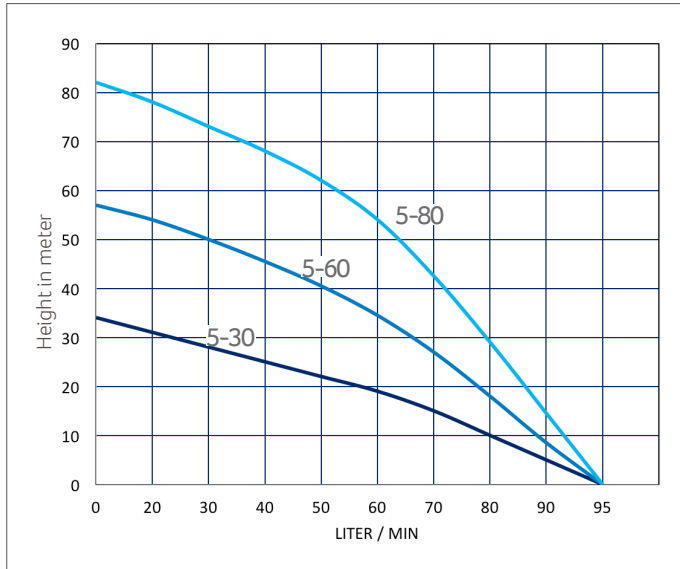
TECHNICAL SPECIFICATIONS

GEP - Monopress	5-30	5-60	5-80
Amperage (1 ~ 230V):	4,2	6,0	8,5
Power in Watt:	550	750	1.200
Max. increaseHeight in m:	34	57	82
Max. flow in liters / min:	70	83	90
Speed min ⁻¹ :	2.850	2.850	2.850
Empty weight in kg:	11	13	15
Number of fans:	3	5	7
Capacitor in µF:	20	25	40

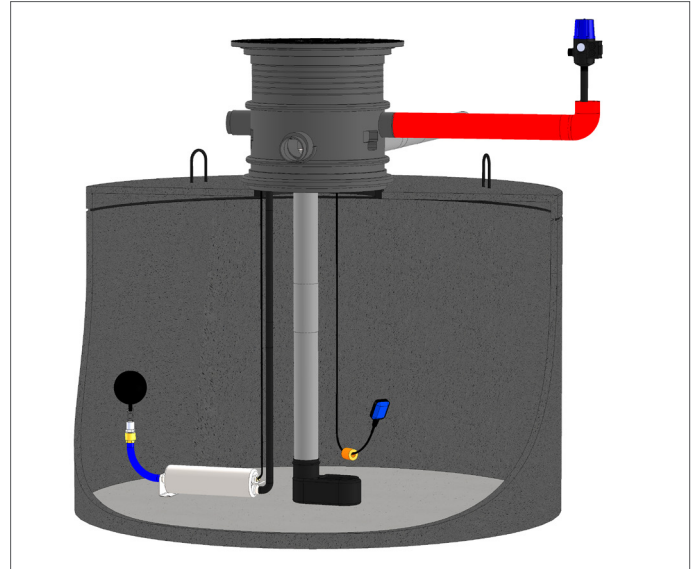
TECHNICAL DRAWINGS



PUMP CHARACTERISTIC



CONNECTION DIAGRAM



MATERIAL

Name	Material
Suction basket and hose clamps	RVS
Pump housing:	RVS (304)
Rotor:	RVS (410)
Leiwiel:	PPO (noryl)
Tracker:	PE
Electro cable pump:	3 aderig 1,00 mm ² H07Rn8F
Double shaft seal silicon carbonate and aluminum oxide / ceramic in oil-filled chamber, suction hose bacterial-inhibiting thermoplastic.	

OPTIONS

DBS Submersible connection set
Complete connection set for the installation of the submersible pump in the rainwater well or tank. Consists of: flexible pressure hose 2 m, brass grommet 1", brass elbow 1" with tank penetration, PE coupling 1" bi and bu.

Submersible pump kit
Stainless steel wire and mounting parts to be able to attach the submersible pump to the top of the rainwater well.

SCOPE OF DELIVERY

Monopress pressure submersible pump 5-30 / 5-60 / 5-80 comes with: 20 meters electrical cable, floating suction hose with 60 cm hose, brass stopper 1"; pressure control including mounting bracket, fastening materials and installation instructions.

ORDERING INFORMATION

Art nr	NAME	PG
402227	GEP Monopress 5-30 with pressure control and twist	1
402228	GEP Monopress 5-60 with pressure control and twist	1
402229	GEP Monopress 5-80 with pressure control and twist	1
402230	GEP Monopress 5-30 with suction basket excluding pressure control	1
402231	GEP Monopress 5-60 with suction basket excluding pressure control	1
402232	GEP Monopress 5-80 with suction basket excluding pressure control	1
402260	DBS Submersible connection set	1
402253	Submersible pump kit	1

