

GEP RCD - F POMPINSTALLATIES

Cascade speed controlled pump group with two pumps



rethinking water



PRODUCT DESCRIPTION

The RCD-F pumping systems from GEP are based on the high-quality self-priming GEP RC pumps, with built-in thermal protection and the GEP's F-speed pump control. These hydrophore sets are very suitable for pressure increase and rainwater use in industry and utilities, or can be applied at all places where the water pressure needs to be increased.

SCOPE

Everywhere there is a need for a complete pre-assembled pump group with a relatively large pump capacity and a high operational reliability with a freely adjustable constant comfortable water pressure.

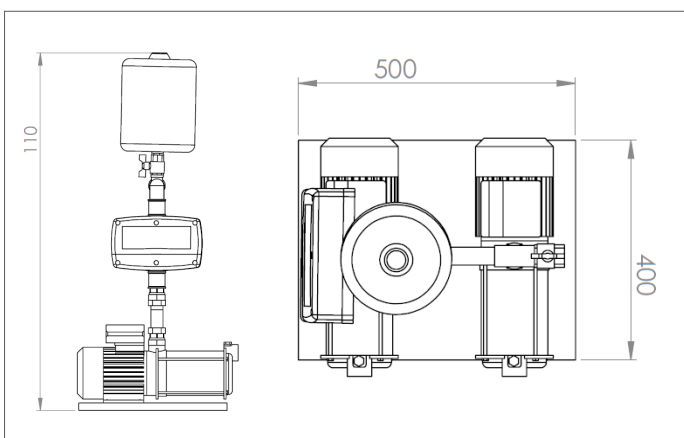
TECHNICAL DATA

Length in mm:	500
Height in mm:	1.100
Width in mm:	400
Suction connection:	2 x 1 of 5/4" bi
Connection press:	5/4 of 6/4" bi
Max. RPM:	2.850

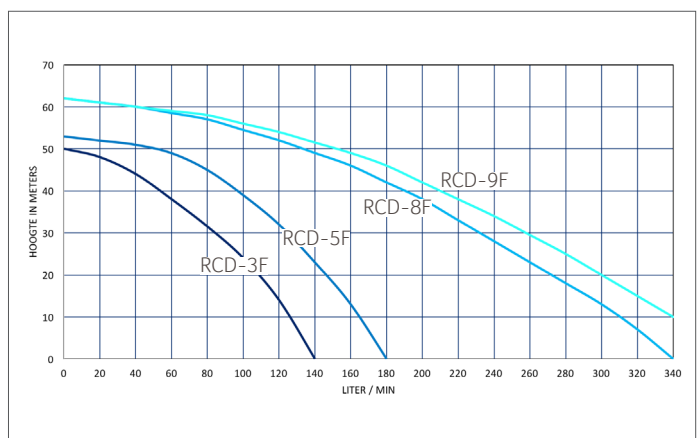
TECHNICAL SPECIFICATIONS

	RCD-3F	RCD-5F	RCD-8F	RCD-9F
Power in Watt:	1.800	2.700	3.300	4.000
Max. flow in liters / min:	120	160	300	320
Max. increaseHeight in m:	50	53	50	62
Weight in kg:	25	26	25	26
Temperature in ° C:	5-35	5-35	5-35	5-35
Capacitor in µF:	20	25	25	40
Number of fans:	5	5	4	5

TECHNICAL DRAWINGS



PUMP CHARACTERISTIC



ORDERING INFORMATION

Art nr	NAME
402635	GEP Double pump installation RCD - 3F frequency controlled
402636	GEP Double pump installation RCD - 5F frequency controlled
402637	GEP Double pump installation RCD - 8F frequency controlled
402638	GEP Double pump installation RCD - 9F frequency controlled

PG

- 4
- 4
- 4
- 4

