

TRIDENT INDUSTRY FILTERS

Rainwater filters for roof areas from 2,000 to 10,000 m²



PRODUCT DESCRIPTION

Trident filters are a highly efficient dynamic rainwater filter, ensuring that a maximum volume of water passes through the filter and into the tank. The filter acts as the first step in the rainwater treatment process and has the capability to reduce the overall lifetime cost of the entire rainwater harvesting system.

With a range of pre-tank filters and tank filters with skimmers, Trident filters are flexible to suit in almost any tank; improving tank life, reducing maintenance and capable of handling high volume harvesting needs.

- +90% Efficiency 700µm
- Rapid separation of waste and clean water
- Dirt resistant and large effective filter grid
- Automatic cleaning reduces maintenance required
- Ideal for rainwater harvesting

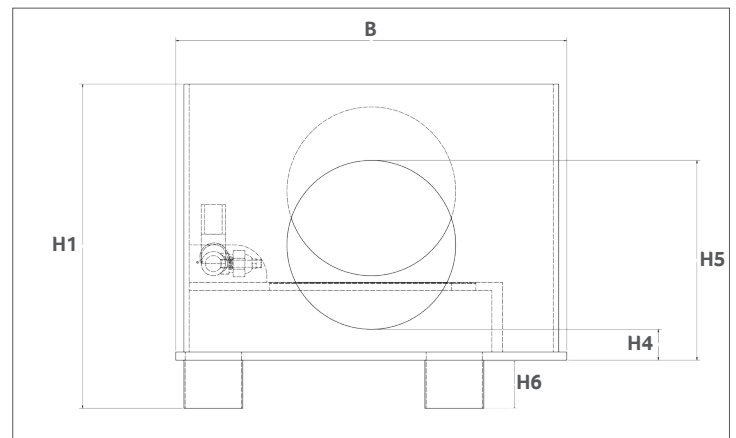
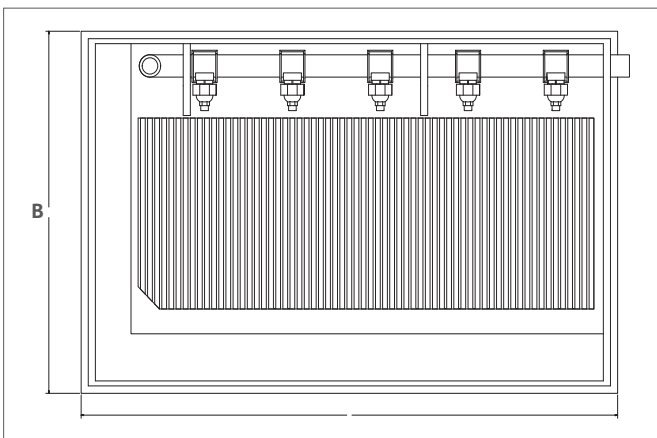
APPLICATION AREA

The Trident industry filters are intended for installation in a rain water borehole, water cellar or basin. The Trident industry filters are suitable for filtering rain water from roofs of buildings with a roof surface up to 10,000 m² (based on 300 litres/sec/ha). Larger models available on request.

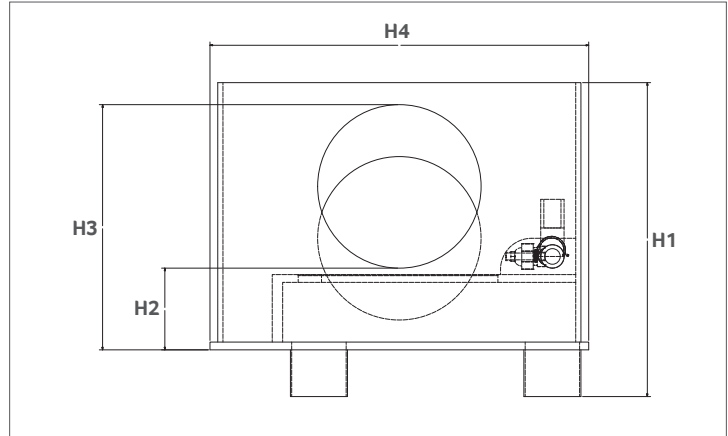
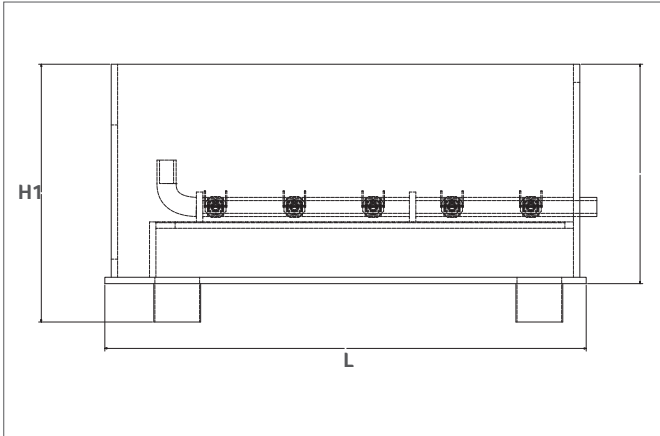
TECHNICAL DATA

	Trident 2.000	Trident 3.000	Trident 6.000	Trident 10.000
Length L in mm:	850	1.100	1.570	2.150
width B in mm:	700	700	570	700
Height H1 in mm:	555	590	700	835
Height H2 in mm:	126	126	126	126
Height H3 in mm:	380	446	530	631
Height H4 in mm:	25	25	25	25
Height H5 in mm:	279	345	429	5
Height H6 in mm:	105	105	85	85
Height difference to the drain in mm:	101	101	101	101
Spray pipe connection:	1"	1"	1"	1"
Number of nozzles:	4	5	7	8
Minimale debiet sproeiers in L/min:	57	69	97	125
Minimum flow rate nozzles in L / min:	Ø 250	Ø 315	Ø 400	Ø 500
Connection from clean water 3 in mm:	4 x Ø110	4 x Ø110	6 x Ø110	8 x Ø110
Weight in kg:	ca. 32	ca. 39	ca. 47	ca. 74
Connection of clean water DN4 in mm *	Ø200	Ø250	Ø315	Ø400

TECHNICAL DRAWING



TECHNICAL DRAWING



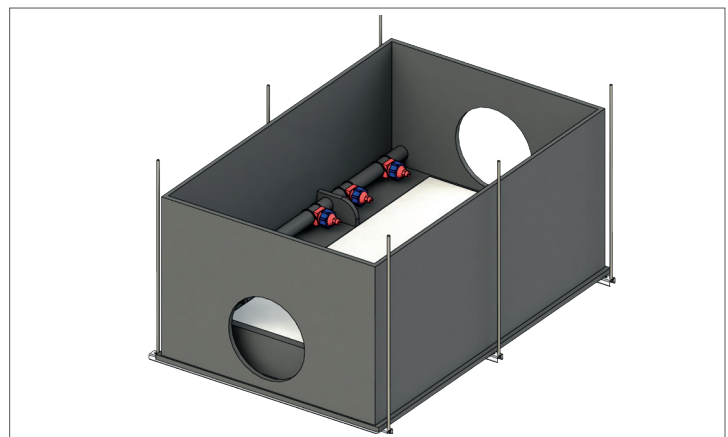
OPTIONS

Automatic time-controlled filter cleaner 1/2 "

Time-controlled filter cleaner makes automatic filter cleaning possible. The nozzle sprays the filter surface at freely adjustable times clean.

Connection set Trident filter bucket

The connection set consists of a pre-connected flexible hose with a 1" 3-piece connection. The 1" pipe from the building can be mounted to it directly. (see 1).

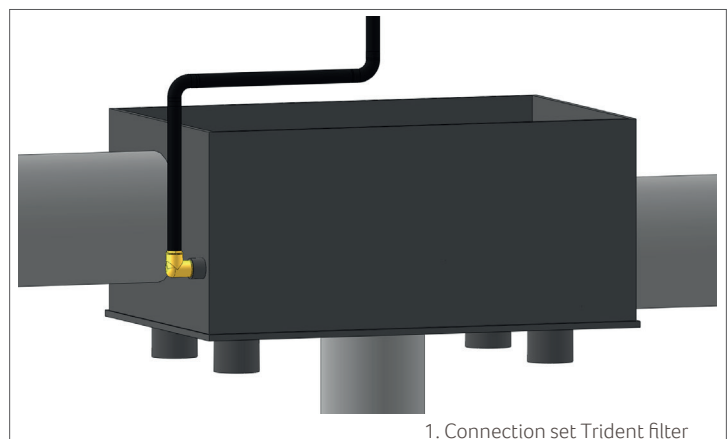


DELIVERY

Product consist of: filter housing with connection for water pipe, Trident filter plate, pre-assembled filter nozzles and assembly manual

ORDER DETAILS

Art nr	NAAM	PG
401202	Trident 2.000 filter including nozzles	4
401203	Trident 3.000 filter including nozzles	4
401204	Trident 6.000 filter including nozzles	4
401205	Trident 10.000 filter including nozzles	4
401251	Automatic time-controlled filter cleaner 1"	2
401253	Connection set Trident filter tray	4



1. Connection set Trident filter