

The heart of your rainwater harvesting system

Trident is a brand by GEP that stands for high quality filter technology, based on years of experience and engineering of rainwater filters. R&D, design and production is done in the Netherlands. In addition to the production of Trident filters, it is also possible for GEP to produce special series and supply its products to tank manufacturers and private label customers. Lots of possibilities; custom design, custom logo, custom colour. It is also possible to design a filter specifically for your tanks.



1. R&D based on years of experience.



2. Design from start to finish, from concept to final product.



3. Design with custom logo, private label and colour.



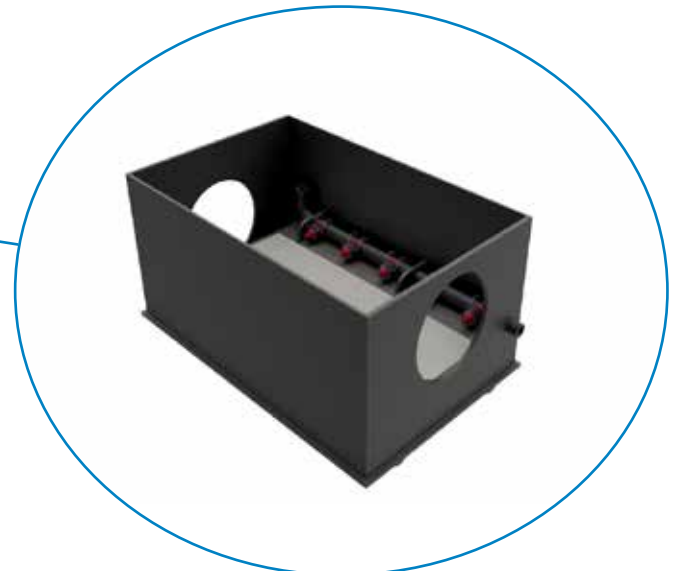
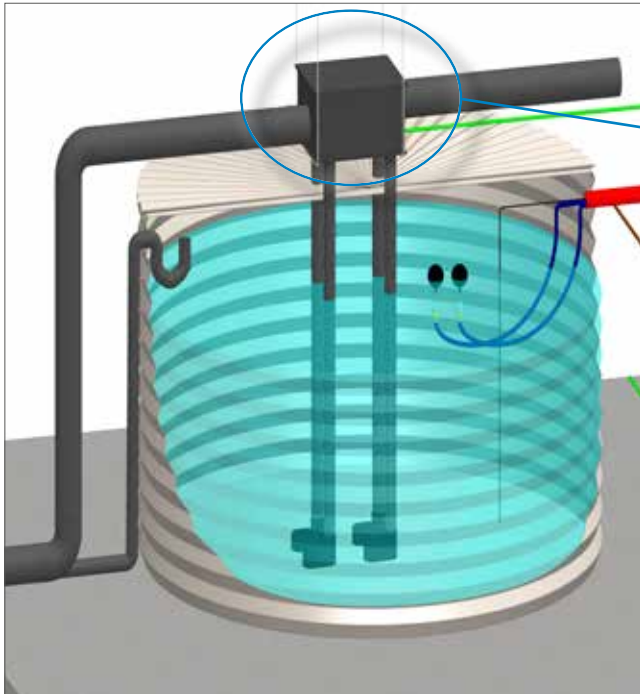
4. Different filters and capacities.



5. Mold design by our own R&D.

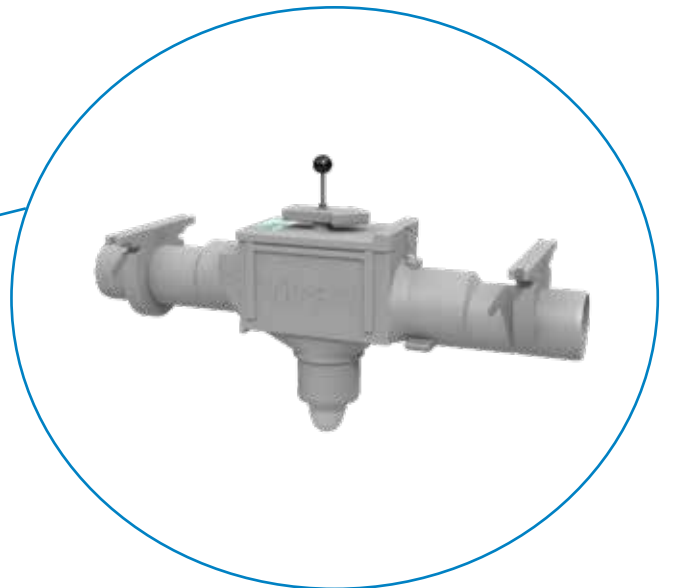
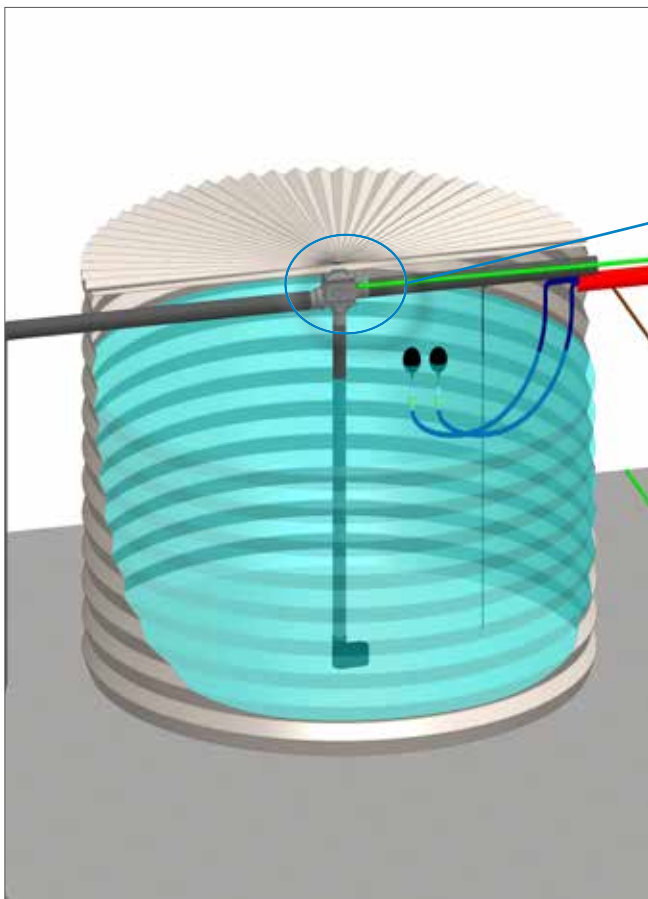


6. Production "made in Holland", good, reliable and so cover.



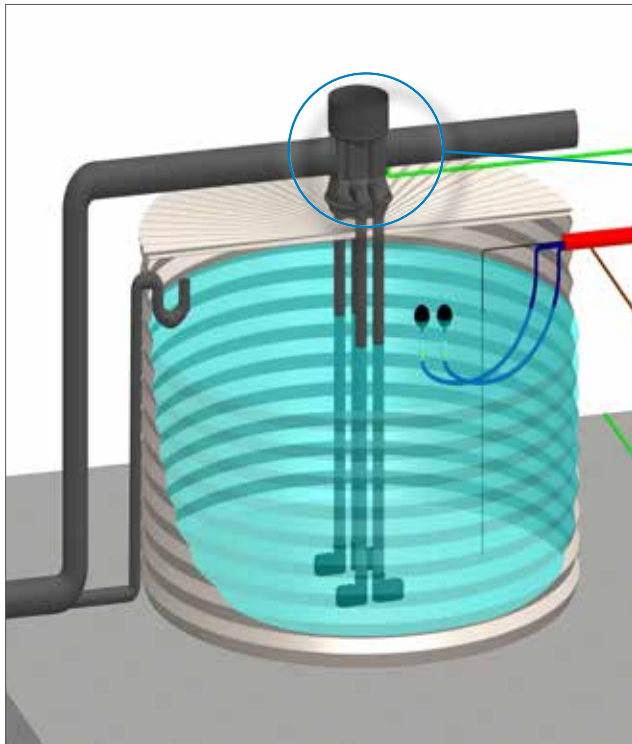
Trident Industry Tank filter

The Trident industry filter is a filter for filtering rainwater from roofs. The Trident industry filters are intended for installation above a rainwater tank, water cellar or waterbasin. The Trident industry filters are suitable for filtering rainwater from roofs of buildings with a roof surface up to 10,000 m² (based on 300 litres/sec/ha). Larger models available on request.



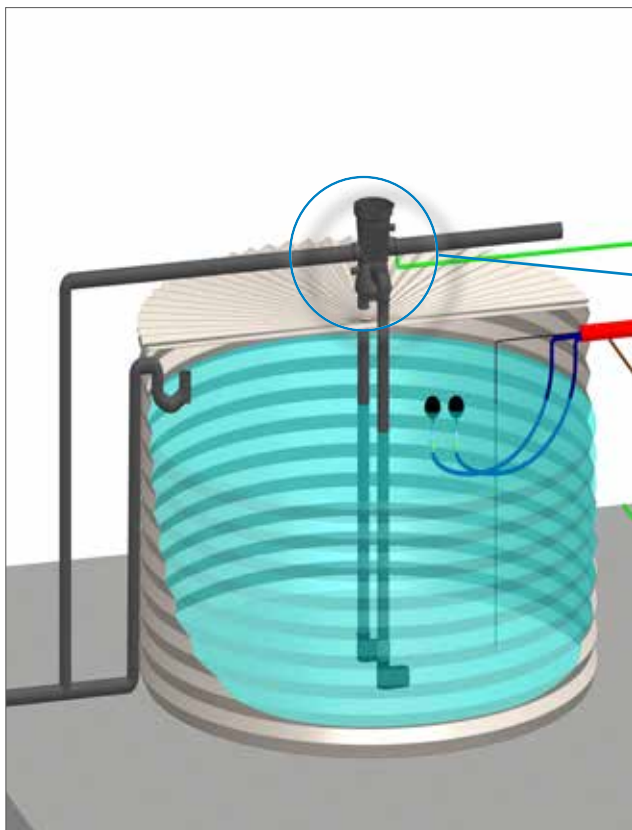
Trident Tankfilter 450

The Trident Tankfilter is supposed to be attached to the cover plate in a rainwater tank. The Trident Tankfilter is suitable for filtering rainwater from roofs of homes or buildings with a roof surface up to 450 m² (based on 300 litres/sec/ha). Has a connecting diameter of Ø 110 or 160 mm and is provided with mounting brackets. The Trident cone filter must be built into a rainwater tank and is, as such, not resistant to soil pressure. The filter box is detachable for the purpose of inspecting the filter plate.



Trident Pretank filter 1.650

The Trident 1,650 rainwater filters are intended to be placed above a tank or rainwater borehole. The Trident rainwater filters are suitable for filtering rain water from roofs of buildings with a roof surface up to 1,650 m². The filter must be placed before or on a rainwater tank and is resistant to soil pressure (traffic class A). Between the supply of rainwater and the discharge of the filtered rain water, there is a decline of 12 cm. With the optional decline reductive part this is reduced to 6 cm.



Trident Pretank filter 325

The Trident rainwater filters are suitable for filtering rainwater from roofs of homes or buildings with a roof surface up to 325 m². The filter must be placed before or on a rainwater tank and is resistant to soil pressure (traffic class A). Between the supply of rain water and the discharge of the filtered rainwater, there is a decline of 12 cm. With the optional reductive part this will be reduced to 6 cm.

EXAMPLES OF TRIDENT OEM PRODUCTS

