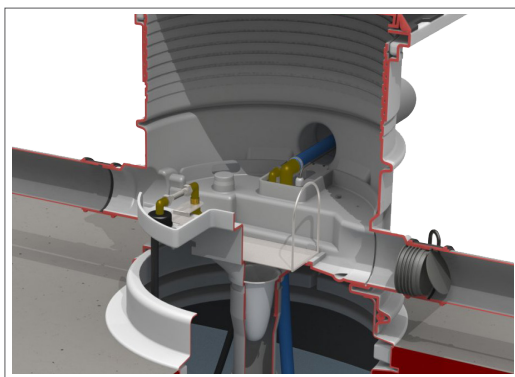


FLEXOLINE VARITANK 325

Regenwaterput van beton met ingebouwd regenwaterfilter



triDENT
Advanced Filtertechnology

PRODUCT DESCRIPTION

The Flexoline Varitank 325 consists of a concrete rainwater well and Varitank filter 325. The walls and bottom form a monolithic whole. The Flexoline rainwater well is suitable for storing rainwater. The rainwater well consists of a concrete tub and cover plate, sealed with sealant. A PE ring has been poured into the cover plate, which serves as a manhole. This is equipped with a walkable cover for safety and to prevent pollution. The ring protrudes approx. 8 cm above the cover plate, the Varitank filter should be mounted on it. It consists of a filter shaft made of PE, a filter tray and a Trident filter flate made of stainless steel with triangular blades that are at right angles to the water flow. The distance between the slats is approx. 0.5 mm. Because the slats are tilted a few degrees, the rainwater is braked and discharged to the tank. The filter tray is also equipped with two skimmer overflows. When the tank is full, the excess rainwater will drain directly through the filter flate and wash away any remaining dirt. The Varitank filter is traffic class A taxable. The filter dish is completely removable so that the rain well remains accessible for inspection and maintenance. The filter tray is lockable and offers extra (child) safety.

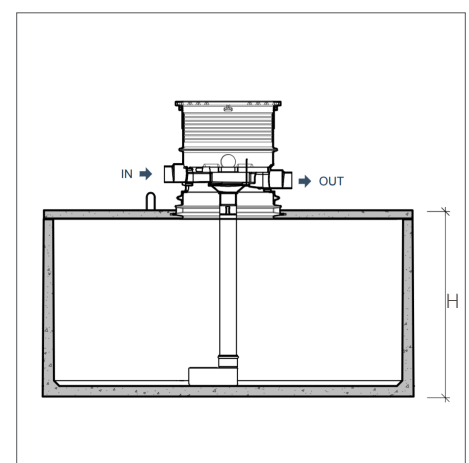
APPLICATION AREA

The tank has to be buried at a certain depth, depending on the level of the HWA pipes and the ground level. The tank must remain accessible for maintenance. Ground cover is maximum 80 cm. In case of more ground cover or higher static loads, a divider flate of reinforced concrete must be fitted. The Varitank filter 325 is suitable for filtering rainwater from roofs **with a maximum roof surface of up to 325 m²**. **The filter shaft is placed on the PE ring of the pit and sealed with a rubber ring. The shaft can be rotated 360 degrees to simplify the connection of the piping and can be shortened or raised at any desired Width by means of PE attachments. The decay between the supply and discharge of rainwater is 40 mm.**

TECHNICAL DATA FLEXOLINE VARITANK 325

| Volume in liter | Length L in cm | Width B in cm | Height H in cm | Weight in kg | Max. Diepte in cm |
|-----------------|-------------------|------------------|-------------------|--------------|----------------------|
| 2.600 | 220 | 115 | 173 | 1.810 | 230 |
| 4.000 | 245 | 220 | 125 | 2.800 | 205 |
| 5.000 | 245 | 220 | 150 | 3.150 | 230 |
| 7.500 | 245 | 220 | 216 | 3.800 | 295 |
| 7.500 (flat) | 330 | 240 | 158 | 4.600 | 240 |
| 10.000 | 330 | 240 | 197 | 5.350 | 280 |
| 15.000 | 340 | 290 | 233 | 6.850 | 315 |
| 15.000 (small) | 430 | 240 | 231 | 8.145 | 310 |
| 20.000 | 440 | 330 | 210 | 8.465 | 290 |
| 20.000 (small) | 450 | 290 | 232 | 8.880 | 310 |

Side view

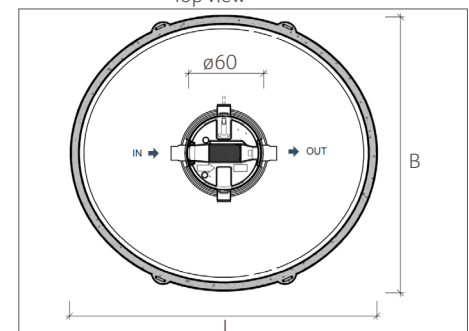


DELIVERY

GEP delivers concrete wells with crane trucks up to 10,000 kg. The concrete pits are unloaded at the desired delivery address next to the truck on the condition that it can be carried out within 30 minutes and the location is accessible (passable ground and space for lateral stamping).

The final decision lies with the driver of the unloading truck. In consultation, the driver can also decide to place the pit directly in the hole. For concrete pits heavier than 10,000 kg or locations where the conditions for independent unloading are not possible, a crane must be present to unload the concrete pits.

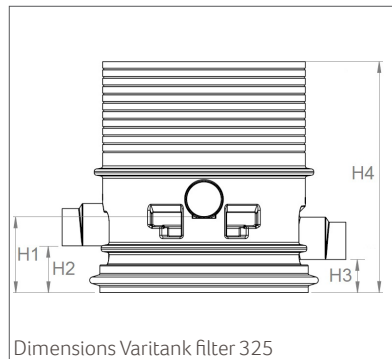
Top view



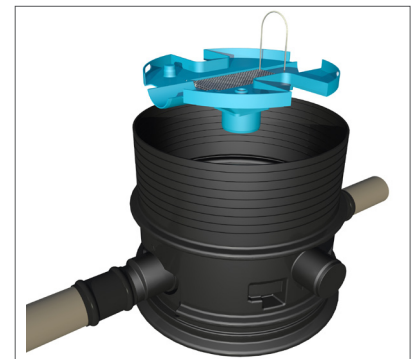
TECHNICAL DATA VARITANK FILTER 325

| | |
|---------------------------------------|---------|
| Height H1 in mm: | 223 |
| Height H2 in mm: | 137 |
| Height H3 in mm: | 97 |
| Height H4 in mm: | 450-600 |
| Weight in kg: | 20 |
| Connection in / out in mm: | 110/125 |
| Connection of casing pipe in mm: | 2x 110 |
| Manhole Ø in mm: | 600 |
| Max. roof area in m2: | 325 |
| Height difference on the drain in mm: | 40 |
| Housing material: | PE |
| Material filter plate: | RVS |
| Connection of nozzle (optional): | 1/2" |

TECHNICAL DRAWINGS



PRINCIPESHEMA



OPTIONS

Sprinkler set for Varitank filter 325

The nozzle set ensures that the filter is periodically cleaned. The set consists of a filter nozzle, mounting bracket and hose for the coupling between the filter tray and filter shaft so that the dish remains removable.

Automatic time-controlled filter cleaner 1/2 "

Time-controlled filter cleaner enables automatic filter cleaning. The nozzle will clean the filter surface at freely adjustable times.

Fine filter bag

The fine filter can be placed under the Trident filter flate. This filter bag filters very finely to a mesh size of 150 µm. This fine filter can be used in places where high demands are placed on the water quality.

Backflow alarm for Trident filters

The filter can be equipped with an alarm sensor that signals backflow from the overflow. This alarm sensor can be connected on an IRM rainwater system that switches to drinking water as soon as an alarm signal comes from the sensor. This prevents contamination of the pump, sanitary pipes and appliances.

Varitank inner shaft 60 cm

The shaft with the sealing ring supplied can be mounted on the filter shaft. The shaft can easily be shortened. Each type of Varitank lid can be easily equated to the ground level.

Check valve for Trident 150 tank filter

Valve to place behind the filter in the drain. Plug-in model, suitable for 110 mm pipe sections. Reduces the risk of backflow from the overflow towards the tank. Material polypropylene black, with flexible rubber lining.

Varitank lid set

Each Varitank filter has a wide range of lids, available in traffic classes A, B and D. Check the special Varitank lid page to choose which lid is best suited for your situation.

SCOPE OF DELIVERY

Product consists of: a concrete rain washer with plastic penetration ring, equipped with four lifting loops, filter shaft with built-in child-resistant filter tray, plastic cover, rubber ring, lubricant, telescopic tube, quiet supply and Trident filter flate with extraction bracket.

ORDERING INFORMATION

| Art nr | NAME | PG | Art nr | Options | PG |
|--------|---|----|---|--|----|
| 403908 | Flexoline Varitank 325 - 2.600 liter class A | 8 | 401152 | Sprinkler set for Varitank filter 325 | 2 |
| 403301 | Flexoline Varitank 325 - 4.000 liter Class A | 8 | 401155 | Automatic time-controlled filter cleaner 1/2 " | 2 |
| 403302 | Flexoline Varitank 325 - 5.000 liter Class A | 8 | 401157 | Fine filter bag | 2 |
| 403303 | Flexoline Varitank 325 - 7.500 liter Class A | 8 | 401158 | Backflow alarm for Trident filters | 2 |
| 403304 | Flexoline Varitank 325 - 7.500 liter Class A flat | 8 | 403512 | Varitank inner shaft 60 cm | 3 |
| 403305 | Flexoline Varitank 325 - 10.000 liter Class A | 8 | 401165 | Check valve for Trident 150 tank filter | 2 |
| 403306 | Flexoline Varitank 325 - 15.000 liter Class A | 8 | 403682 | Varitank Twist 2 meters | 2 |
| 403307 | Flexoline Varitank 325 - 15.000 liter Class A small | 8 | 403681 | Varitank Twist 3 meters | 2 |
| 403308 | Flexoline Varitank 325 - 20.000 liter Class A | 8 | Heavier traffic Class B and D (light and heavy traffic) available on request. Wide range of lids available, see Varitank lids from GEP. | | |
| 403309 | Flexoline Varitank 325 - 20.000 liter Class A small | 8 | | | |