

FLEXOLINE RAINWATER WELL

Rain water well of concrete for heavy traffic, traffic class D



PRODUCT DESCRIPTION

The Flexoline rainwater wells for heavy traffic are made of self-compacting concrete. The walls and bottom form a monolithic whole. The Flexoline rainwater well for traffic load is suitable for storing rainwater from roofs. The rainwater well consists of a concrete tub and cover flate, sealed with sealant. A PE ring has been poured into the cover flate and serves as a manhole.

The PE ring is equipped with a walkable cover to prevent contamination in the pit during construction. The PE ring protrudes approx. 8 cm above the cover flate. A PE increment can be mounted on this with or without an integrated rainwater filter.

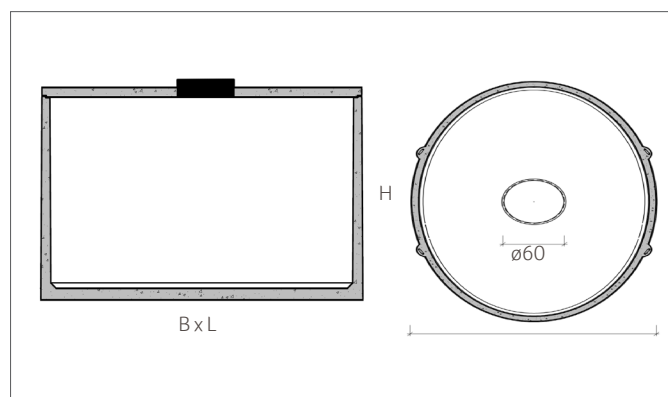
APPLICATION AREA

The tank has to be buried at a certain depth, depending on the level of the HWA pipes and the ground level. The tank must remain accessible for maintenance. Ground cover is maximum 80 cm. With more ground cover or higher static loads, a reinforced concrete distribution board must be fitted with a correct finish of the manhole.

TECHNICAL DATA FLEXOLINE REGENWATERPUT

Volume in liter	Dimensions in cm	Height H in cm	Weight in kg	Max. gronddekking in cm
5.000	ø224	196	6.375	150
7.500	ø224	277	7.925	150
13.000	ø274	298	11.055	150
20.000	450 x 300	245	15.000	100

TECHNICAL DRAWINGS



ORDERING INFORMATION

Art nr	NAME	PG
403441	Regenwaterput beton 5.000 liter Class D	8
403444	Regenwaterput beton 7.500 liter Class D	8
403447	Regenwaterput beton 13.000 liter Class D	8
403448	Regenwaterput beton 20.000 liter Class D	8
403606	Doorvoering ø110 inclusief rubber manchet	8
403609	Doorvoering ø160 inclusief rubber manchet	8
403610	Doorvoering ø200 inclusief rubber manchet	8
403611	Doorvoering ø250 inclusief rubber manchet	8
403512	Varitank binnenschacht 60 cm	3

Ruim assortiment aan deksels leverbaar, zie de Varitank deksels van GEP.

TECHNICAL DRAWINGS

