

FLEXOLINE RAINWATER WELL

Rainwater well of concrete, traffic class A and B



PRODUCT DESCRIPTION

The Flexoline rainwater wells (elliptical) are made of vibrating concrete. The walls and bottom form a monolithic whole. The Flexoline rainwater well is suitable for storing rainwater from roofs. The rainwater well consists of a concrete tub and cover plate, sealed with sealant.

A PE ring has been poured into the cover plate and serves as a manhole. The PE ring is equipped with a walkable cover to prevent contamination in the pit during construction. The PE ring protrudes approx. 8 cm above the cover plate. A PE increment can be mounted on this with or without an integrated rainwater filter.

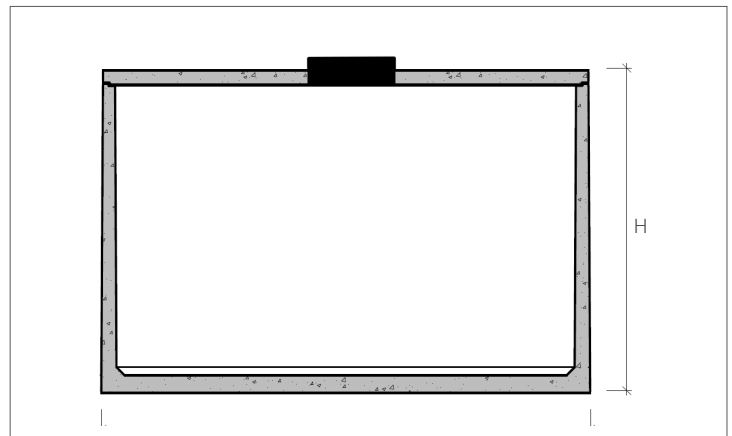
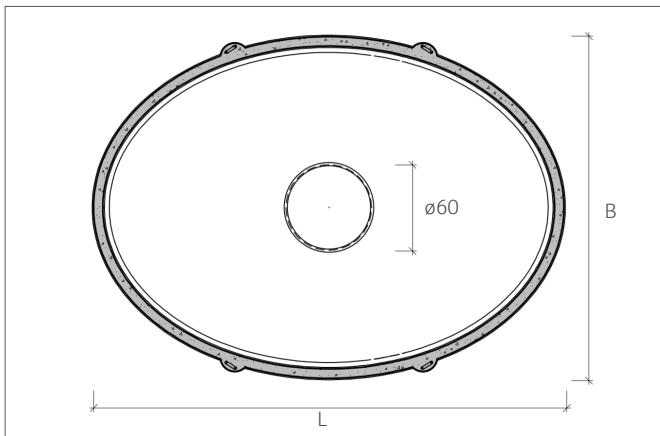
APPLICATION AREA

The tank has to be buried at a certain depth, depending on the level of the HWA pipes and the ground level. The tank must remain accessible for maintenance. Ground cover is maximum 80 cm. With more ground cover or higher static loads, a reinforced concrete distribution board must be fitted with a correct finish of the manhole.

TECHNICAL DATA FLEXOLINE RAINWATER WELL TRAFFIC CLASS A / B

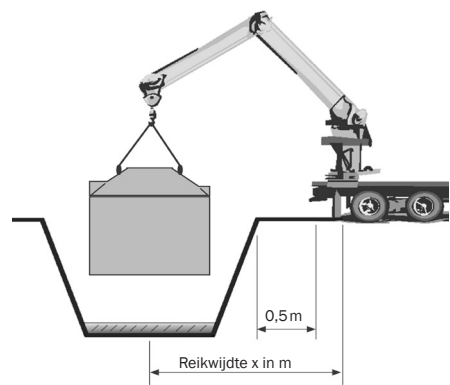
Volume in liter	Length L in cm	Width B in cm	Height H in cm	Weight in kg	Manhole in cm	Max. Depth in cm
2.000	220	115	144 / 151	1.705 / 2.040	ø60	230
2.600	220	115	173 / 180	1.810 / 2.245	ø60	250
4.000	245	220	125 / 133	2.800 / 3.550	ø60	205
5.000	245	220	150 / 158	3.150 / 3.900	ø60	230
7.500	245	220	216 / 224	3.800 / 4.550	ø60	295
7.500 (flat)	330	240	158 / 166	4.600 / 6.000	ø60	240
10.000	330	240	197 / 206	5.350 / 6.650	ø60	280
15.000	340	290	233 / nvt	6.850 / nvt	ø60	315
15.000 (small)	430	240	231 / 239	8.145 / 9.486	ø60	310
20.000	440	330	210 / nvt	8.465 / nvt	ø60	290
20.000 (small)	450	290	232 / 240	8.880 / 10.935	ø60	310

TECHNICAL DRAWINGS



REACH CRANE

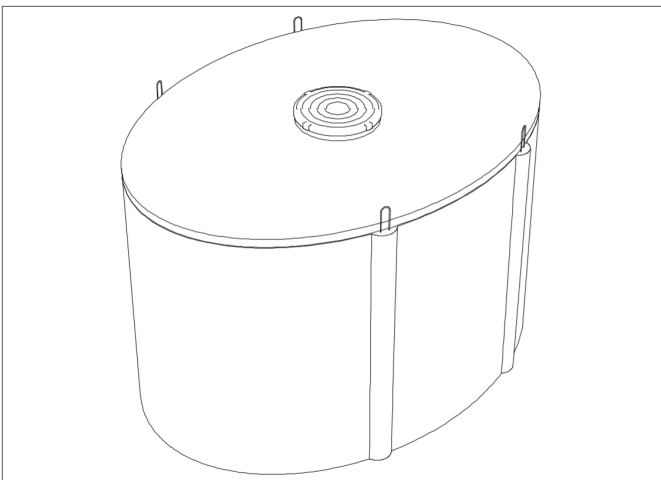
Tank type	Reach
Tot 5.000 L	5,0 m
7.500 L	4,0 m
10.000 L	1,0 m
15.000 L	0,2 m
20.000 L	n.v.t.



GEP delivers concrete wells with crane trucks up to 10,000 kg. The concrete pits are unloaded at the desired delivery address next to the truck on the condition that it can be carried out within 30 minutes and the location is accessible (passable ground and space for lateral stamping). The final decision lies with the driver of the unloading truck. In consultation, the driver can also decide to place the pit directly in the hole.

As an indication, the table “Kran bereiken” shows the possibilities for placing the concrete pit in a pre-dug hole. No rights can be derived from this. For concrete pits heavier than 10,000 kg or locations where the conditions for independent unloading are not possible, a crane must be present to unload the concrete pits.

TECHNICAL DRAWINGS



OPTIONS

Varitank filter

Various Varitank (filter) shafts are available that fit onto the man hole so that the pit can be used as a high-quality rainwater well.

Varitank inner shaft 60cm

The rainwater well can be extended with a shortenable plastic shaft so that the manhole remains accessible.

Very wide range of lids

For the Flexoline rainwater wells a large range of lids is available, with different traffic class, different materials and different shapes. See the Varitank lids from GEP.

Transits

The rainwater wells can be supplied with ducts to connect pipes and pipes. These penetrations can be realized on customer request and are all including rubber cuff.

SCOPE OF DELIVERY

Product consists of: Rain washer with four lifting loops, a plastic collar and safety cover poured into the cover flate.

ORDERING INFORMATION TRAFFIC CLASS A

Art nr	NAME	PG
403351	Rain water well concrete 2.000 liter class A	8
403352	Rain water well concrete 2.600 liter class A	8
403353	Rain water well concrete 4.000 liter class A	8
403354	Rain water well concrete 5.000 liter class A	8
403355	Rain water well concrete 7.500 liter class A	8
403356	Rain water well concrete 7.500 liter class A flat	8
403357	Rain water well concrete 10.000 liter class A	8
403358	Rain water well concrete 15.000 liter class A	8
403359	Rain water well concrete 15.000 liter class A smalll	8
403360	Rain water well concrete 20.000 liter class A	8
403361	Rain water well concrete 20.000 liter class A smalll	8

Wide range of lids available, see Varitank lids from GEP.

ORDERING INFORMATION TRAFFIC CLASS B

Art nr	NAME	PG
403362	Rain water well concrete 2.000 liter class B	8
403363	Rain water well concrete 2.600 liter class B	8
403364	Rain water well concrete 4.000 liter class B	8
403365	Rain water well concrete 5.000 liter class B	8
403366	Rain water well concrete 7.500 liter class B	8
403367	Rain water well concrete 7.500 liter class B flat	8
403368	Rain water well concrete 10.000 liter class B	8
403370	Rain water well concrete 15.000 liter class B small	8
403372	Rain water well concrete 20.000 liter class B small	8
403607	Pass through ø110 including rubber cuff	8
403512	Varitank inner shaft 60 cm	3