

IRM®-3/ IRM®-5 WATERMANAGER

Rainwater changeover system with self-priming centrifugal pump



rethinking water



CERTIFICAAT



PRODUCT DESCRIPTION

The IRM®-3 & 5 Watermanager is a plug-in, compact installation for rainwater use in single-family homes. The break tank for drinking water supply is in accordance with EN1717 type AB. Content 7 liters. The IRM®-3 & 5 Water Manager has a self-priming centrifugal pump (RC-3 or RC-5) with automatic pressure control. The motor-controlled ball valve provides for the switch between rainwater and drinking water operation.

Control provides an automatic drinking water refreshment system that regularly switches the system to drinking water. For example, the contents of the break tank are regularly updated and prevent the tap water in the drinking water pipe from being idle for too long. In the absence of rainwater, the system automatically switches to drinking water by means of the float with a 20 meter cable length. The IRM®-3 & 5 Watermanager is equipped with a sound-proof EPP housing. The IRM®-3 & 5 Water Manager is suitable for wall mounting. The device is KIWA, Belgaqua and DVGW certified.

SCOPE

The system can be used for the use of filtered rainwater for flushing toilets, connecting a washing machine and an outdoor tap. Also suitable for continuous consumption such as sprinkling. The appliance is suitable for wall mounting.

TECHNICAL DATA

Height A in mm:	596
Width B in mm:	662
Depth C in mm:	365
Drinking water connection D:	3/4"
Suction pipe E:	1"
Pressure line F:	1"
Emergency overflow G in mm:	Ø75
Volume breaktank in liters:	7

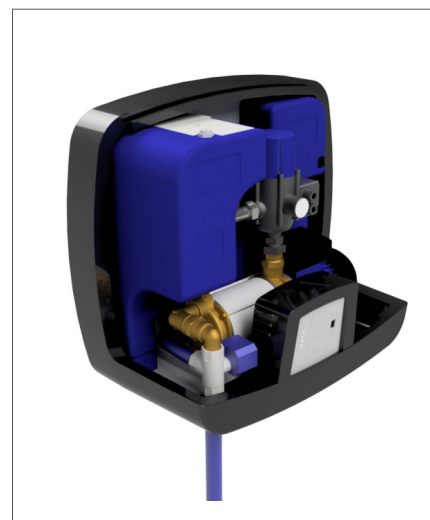
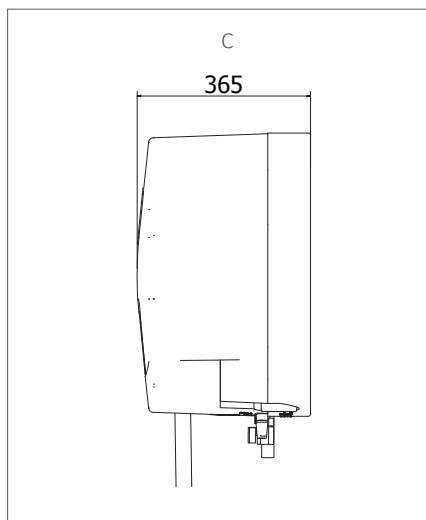
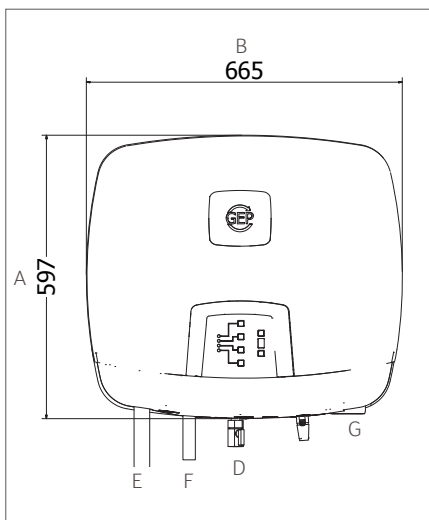
TECHNICAL SPECIFICATIONS

	IRM®-3	IRM®-5
Voltage in V:	230	230
Power in Watt:	1.100	1.350
Max. debiet in liter/min:	60	90
Max. opvoerHeight in m:	50	53
Leeggewicht in kg:	33	33
Aantal waaiers:	5	5
Condensator in µF:	20	25

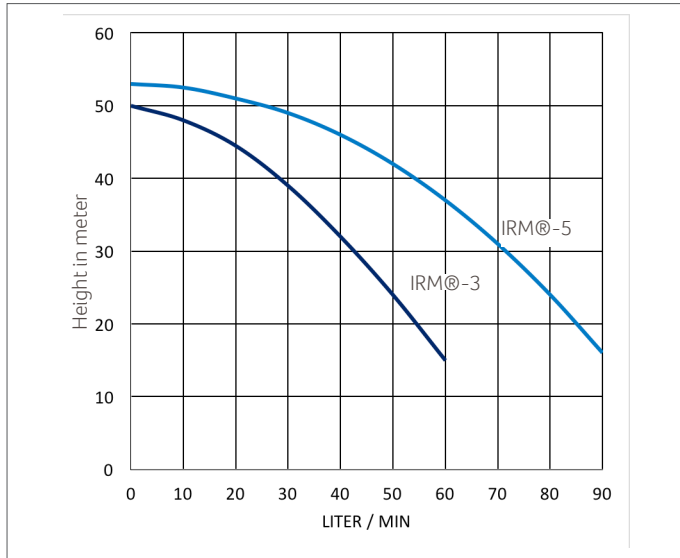
MATERIAL

Name	Material
Sound insulating hood:	EPP
Breaktank:	HDPE
Press, suction side:	Messing
Impellers:	RVS
Pump housing:	RVS
Motor housing:	RVS
Air separator and guide wheel:	PPO (noryl)

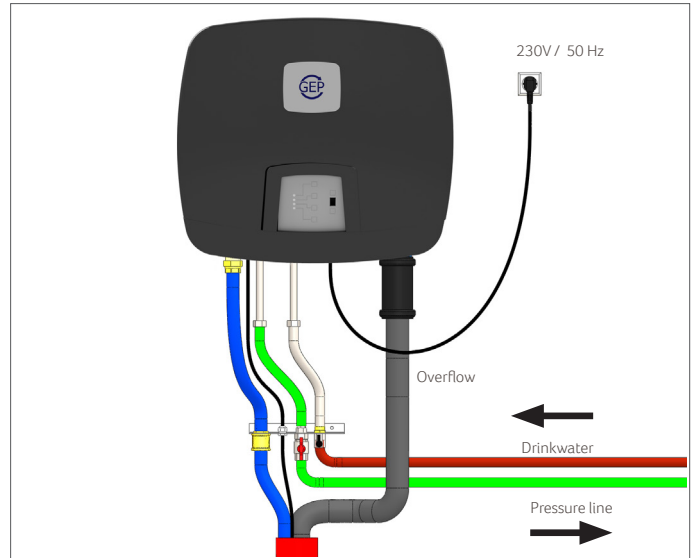
TECHNICAL DRAWINGS



PUMP CHARACTERISTIC



CONNECTION DIAGRAM



OPTIONS

IRM@ 3/5 water lock

If there is no Emergency overflow connection present, the device can be extended with a water seal, which closes the drinking water supply with a leaky drinking water valve.

Automatic time-controlled filter cleaner 1/2 "

Set consisting of: adjustable automatic timer, solenoid valve 1/2 " including 1,5m cable and plug. Digital display.

SCOPE OF DELIVERY

IRM@-3 Watermanager / IRM@-5 Watermanager comes with: sound-insulating foam hood, flexible stainless steel hoses for connection of the drinking water, suction and pressure line including shut-off valves, float switch with 20 meter cable and cable clamp for tank mounting, power cord of 2 meter, wall bracket with fastening Material, rubber resonance strip and installation instructions.

ORDERING INFORMATION

Art nr	NAAM	PG
402112	IRM@-3 Watermanager	1
402113	IRM@-5 Watermanager	1
402138	Water lock IRM@ 3/5	1
401155	Automatic time-controlled filter cleaner 1/2 "	2

