

GEP RCT POMPINSTALLATIES

Cascade gestuurde pompgroep met drie pompen



rethinking water



PRODUCT DESCRIPTION

GEP's RCD pumping systems have been built using the high-quality self-priming GEP RC pumps, equipped with built-in thermal protection and GEP's DPA pump control. It is recommended to extend these sets with a pressure vessel from GEP. These hydrofore sets are suitable for pressure increase and rainwater use in industry and utilities, or can be used in all places where the water pressure needs to be increased.

SCOPE

Everywhere there is a need for a complete pre-assembled pump group with a relatively large pump capacity and a high operating reliability with freely programmable switch-on and switch-off pressure.

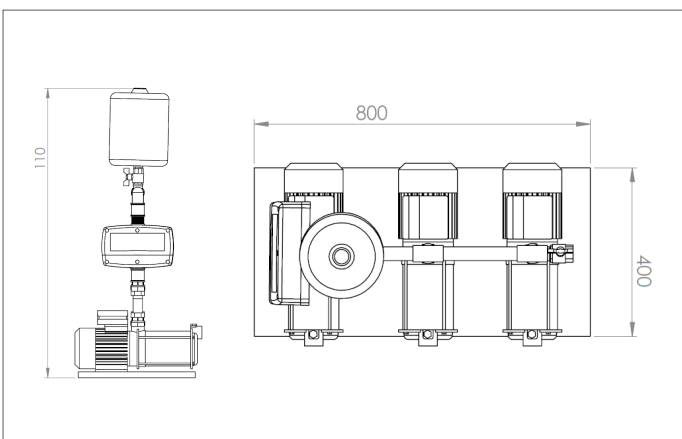
TECHNICAL DATA

| | |
|---------------------|-----------------|
| Length in mm: | 900 |
| Height in mm: | 1100 |
| Width in mm: | 450 |
| Suction connection: | 3x 1 of 5/4" bi |
| Connection press: | 6/4 of 2" bi |
| Max. rPM: | 2.850 |

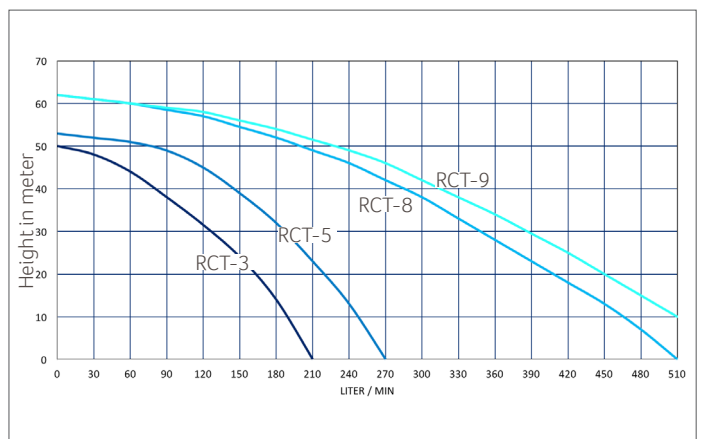
TECHNICAL SPECIFICATIONS

| | RCT-3 | RCT-5 | RCT-8 | RCT-9 |
|----------------------------|-------|-------|-------|-------|
| Power in Watt: | 3.300 | 4.050 | 4.950 | 6.000 |
| Max. flow in liters / min: | 180 | 240 | 450 | 480 |
| Max. increaseHeight in m: | 50 | 53 | 50 | 62 |
| Weight in kg: | 37 | 38 | 37 | 38 |
| Temperature in ° C: | 5-35 | 5-35 | 5-35 | 5-35 |
| Capacitor in µF: | 20 | 25 | 25 | 40 |
| Number of fans: | 5 | 5 | 4 | 5 |

TECHNICAL DRAWINGS



PUMP CHARACTERISTIC



ORDERING INFORMATION

| Art nr | NAME |
|--------|--|
| 402660 | GEP RCT-3 pump group with 3 pumps and dry-running protection |
| 402661 | GEP RCT-5 pump group with 3 pumps and dry-running protection |
| 402662 | GEP RCT-8 pump group with 3 pumps and dry-running protection |
| 402663 | GEP RCT-9 pump group with 3 pumps and dry-running protection |

PG

- 4
- 4
- 4
- 4

