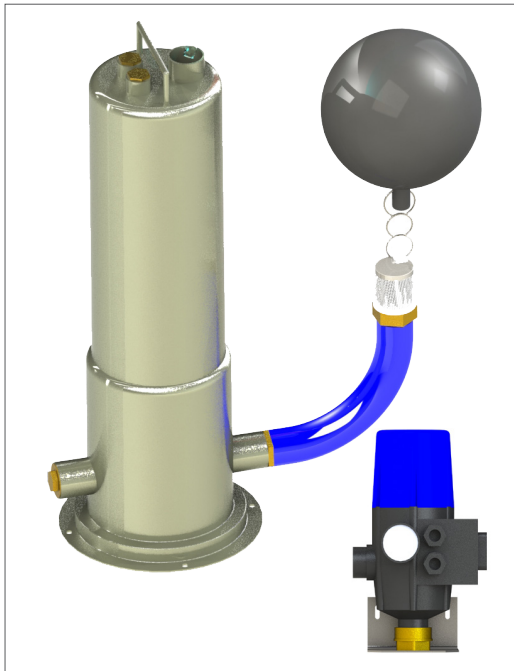


COMBIPRESS SUBMERSIBLE PUMP

Vertical pressure submersible pump with floating suction for rainwater



rethinking water



PRODUCT DESCRIPTION

The pressure immersion pump including floating suction hose ensures the suction of filtered rainwater. The pressure submersible pump is provided with two connections on the suction side. The pump is supplied with a floating intake hose for mounting on the suction side and pressure control for pressure-dependent switching on and off of the pump.

The pressure control is also equipped with a pressure gauge and dry running protection. Floating suction is provided with suction basket with foot valve. Characteristic feature is the starting capacitor, which is located in the condenser box indoors which makes a simple service possible.

SCOPE

The system can be used for the use of filtered rainwater for flushing toilets, connecting a washing machine and an outdoor tap. Also suitable for continuous consumption such as sprinkling.

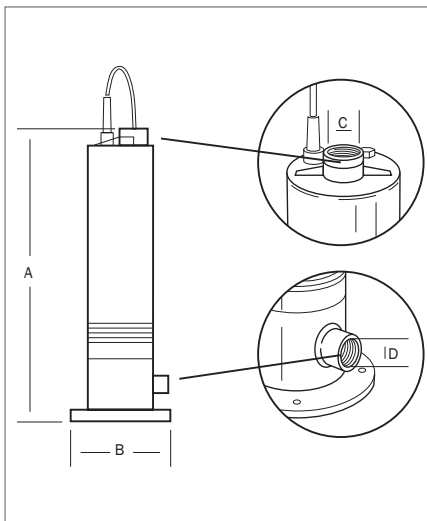
TECHNICAL DATA

GEP - Combipress	5-30	5-60	5-80
Height A in mm:	528	607	727
Diameter B in mm:	190	190	190
Perszijde C:	1" bi	1" bi	1" bi
Zuigzijde D:	1" bi	1" bi	1" bi
Maasgrootte filterkorf in mm:	1	1	1

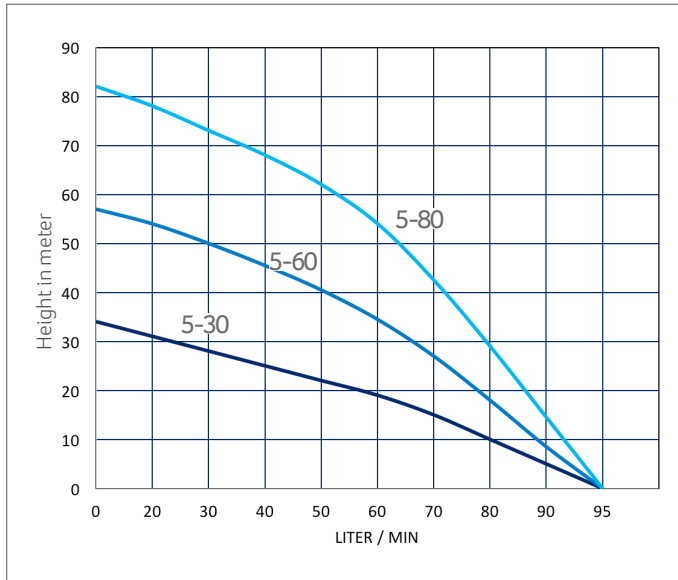
TECHNICAL SPECIFICATIONS

GEP - Combipress	5-30	5-60	5-80
Amperage (1~230V):	4,2	6,0	8,5
Power in Watt:	550	750	1.200
Max. opvoerHeight in cm:	34	57	82
Max. debiet in liter/min:	70	83	90
Speed min ⁻¹ :	2.850	2.850	2.850
Leeggewicht in kg:	13	14	16
Aantal waaiers:	3	5	7
Condensator in µF:	20	25	40

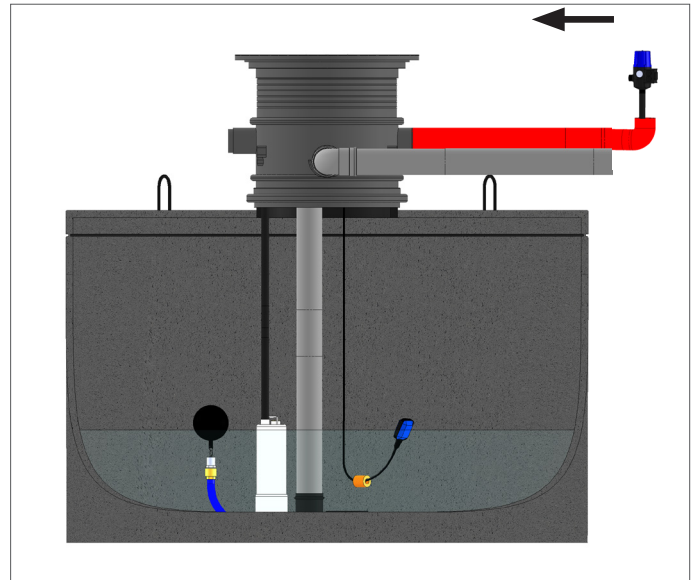
TECHNICAL DRAWINGS



PUMP CHARACTERISTIC



CONNECTION DIAGRAM



MATERIAL

Name	Material
Suction basket and hose clamps:	RVS
Pump housing:	RVS (304)
Rotor:	RVS (410)
Leiwiel:	PPO (noryl)
Tracker:	PE
Electro cable pump:	4 aderig 1,00 mm ² H07Rn8F
Double seal silicon carbone and aluminum oxide / ceramic in oil filled chamber. Suction hose bacterial-inhibiting thermoplastic.	

OPTIONS

- DBS Submersible connection set
Complete connection set for the installation of the submersible pump in the rainwater well or tank. Consists of: flexible pressure hose 2 m, brass grommet 1", brass elbow 1" with tank penetration, PE coupling 1" bi and bu.
- Submersible pump kit
Stainless steel wire and mounting parts to be able to attach the submersible pump to the top of the rainwater well.

SCOPE OF DELIVERY

CombiPress submersible pump 5-30 / 5-60 / 5-80 comes with: 20 meters electrical cable, floating suction hose with 60 cm hose, brass plug 1", IP 65 welding box with plug and capacitor for combi press, pressure control including mounting bracket, mounting material and installation manual.

ORDERING INFORMATION

Art nr	NAME	PG
402211	CombiPress 5-30 with pressure control and twist	1
402212	CombiPress 5-60 with pressure control and twist	1
402213	CombiPress 5-80 with pressure control and twist	1
402008	CombiPress 5-30 exclusive pressure control and twist	1
402013	CombiPress 5-60 exclusive pressure control and twist	1
402023	CombiPress 5-80 exclusive pressure control and twist	1
402260	DBS Submersible connection set	1
402253	Submersible pump kit	1

