

TRIDENT TANK FILTER

with skimmer overflow



PRODUCT DESCRIPTION

Trident filters are a highly efficient dynamic rainwater filter, ensuring that a maximum volume of water passes through the filter and into the tank. The filter acts as the first step in the rainwater treatment process and has the capability to reduce the overall lifetime cost of the entire rainwater harvesting system.

With a range of pre-tank filters and tank filters with skimmers, Trident filters are flexible to suit in almost any tank; improving tank life, reducing maintenance and capable of handling high volume harvesting needs.

- +90% Efficiency 700µm
- Rapid separation of waste and clean water
- Dirt resistant and large effective filter grid
- Automatic cleaning reduces maintenance required
- Ideal for rainwater harvesting

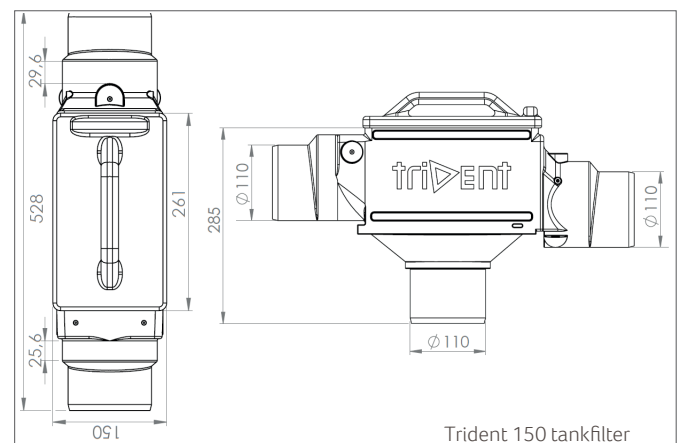
APPLICATION AREA

The Trident tank filters are supposed to be built into a tank or rain water borehole. The Trident tank filters are suitable for filtering rain water from house roofs or buildings with a roof surface up to 450 m² (based on 300 litres/sec/ha). There are 3 different types available, that distinguish themselves by their connection diameters of Ø 110, Ø 125 or Ø 160. The filters must be installed in a cistern or attached to a top unit between the supply and discharge of a cistern.

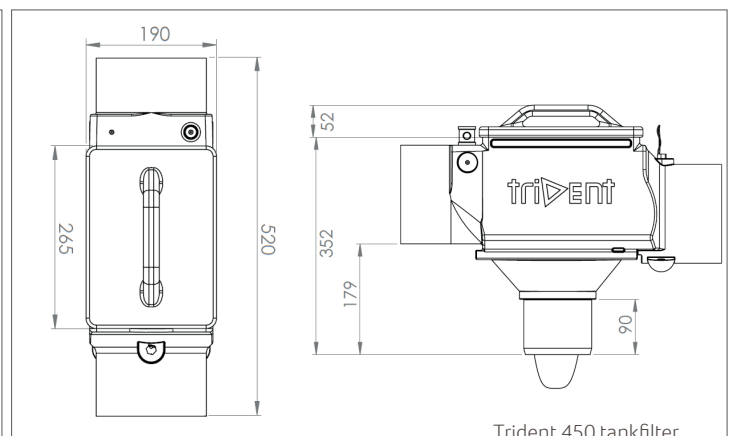
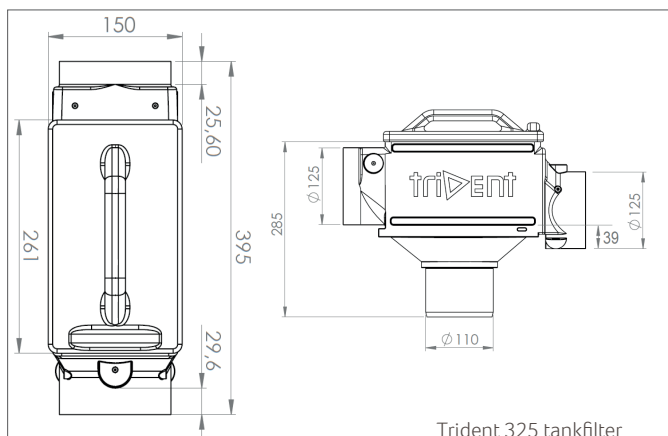
TECHNICAL DATA

	150	325	450
Height in mm:	285	285	352
Width in mm:	150	150	190
Length in mm:	528	395	520
Height difference of the supply in mm:	39	39	39
Connection waste water in/out in mm:	Ø110	Ø125	Ø160
Clean water out in mm:	Ø110	Ø110	Ø110
Weight in kg:	ca. 1	ca. 1	ca. 1,2
Size of cover in cm:	26 x 13	26 x 13	26 x 18
Material housing:	PE	PE	PE
Material filter grid:	RVS	RVS	RVS
Connection filter cleaner (optional):	1/2"	1/2Ba"	1/2"

TECHNICAL DRAWING



TECHNICAL DRAWINGS



OPTIONS

Nozzle set for Trident 150, 325 and 450 tank filter
Allows easy and automatic cleaning of the filter. The nozzle cleans the filter surface by means of water pressure via a special powerful brass cone nozzle (see 1).

Automatic time-controlled filter cleaner 1/2"
Time-controlled filter cleaner makes automatic filter cleaning possible. The nozzle sprays the filter surface at freely adjustable times clean.

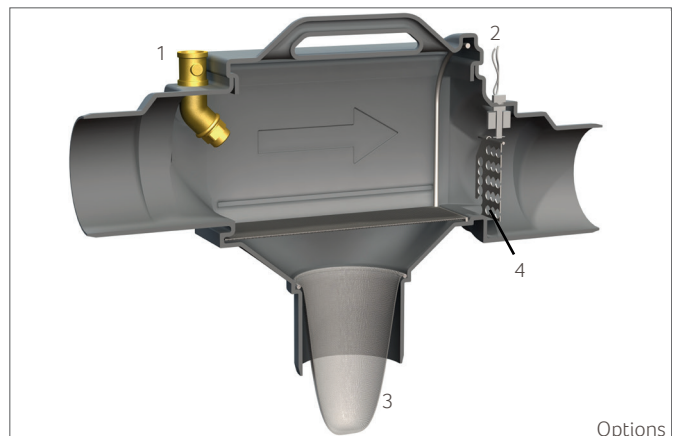
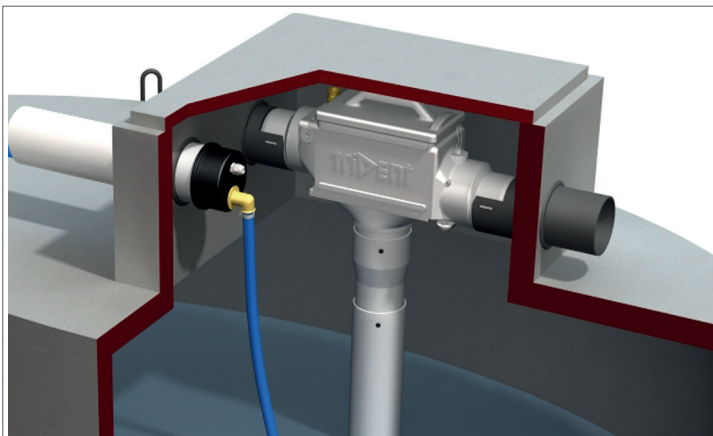
Fine filter bag
The fine filter bag can be placed under the Trident filter plate. The fine filter bag filters very finely to a mesh size of 150 µm. This fine filter can be used in places where high demands are placed on the water quality. (see 3)

Backflow alarm for Trident filters
The filter can be equipped with an alarm sensor that flows back from the overflow signals. This alarm sensor can be connected on an IRM rainwater system that switches to drinking water as an alarm signal comes from the sensor. This will contaminate sanitary appliances, pump and pipes (see 2).

Rat valve stainless steel
Stainless steel rat valve can be used in the Trident 150 and 325 tank filter. be edited. Prevents ingress of vermin from the overflow to sewer or surface water (see 4)

Check valve for Trident 150 tank filter
Valve to place behind the filter in the drain. Plug-in model, suitable for 110 mm pipe pieces. Reduced the risk of backstopping from the overflow towards the tank. Material polypropylene black, provided of flexible rubber lining.

TECHNICAL OVERVIEW



Options

DELIVERY

Product consists of: filter housing , Trident filter grill (removable), cover and installation instructions.

ORDER DETAILS

Art nr	NAME	PG
401122	Trident 150 tank filter with skimmer overflow	2
401123	Trident 325 tank filter with skimmer overflow	2
401145	Trident 450 tank filter with skimmer overflow	2
401151	Nozzle set for Trident 150, 325 and 450 tank filter	2
401155	Automatic time-controlled filter cleaner 1/2"	2
401157	Fine filter bag	2
401162	Trident 150 click connection set 110 mm	2
401163	Trident 325 click connection set 125 mm	2
401164	Trident 450 click connection set 160 mm	2
401158	Backflow alarm for Trident filters	2
401156	Rat valve stainless steel	2
401165	Check valve for Trident 150 tank filter	2

